

Model 265

Very Low Differential Pressure Transducer

Setra's Model 265 is a lower price solution that offers an excellent price to performance ratio and meets the requirements in all typical HVAC applications. The 265 is a low differential pressure transducer that uses a dead-ended capacitive sensing element that requires minimal amplification and delivers excellent accuracy and longterm stability. It delivers $\pm 0.25\%$, $\pm 0.4\%$ and $\pm 1\%$ FS accuracy options with pressure ranges from 0.25" W.C. up to 100" W.C. The 265 has a small footprint, an AC power option and an optional conduit cover that allows for simple, secure installation for any applications.

The Best Price to Performance in the Industry

The 265 delivers exceptional features at a low price, perfect for any OEM looking for quality and performance at an affordable price.

Quick & Easy Installation

The 265 is designed to reduce installation costs while increasing overall operating efficiency. Installation is easy with integral mounting tabs, pressure connections located on the face of the unit, and a screw terminal strip for electrical termination.

The Setra Sensor

The core technology of the 265 is the all stainless steel capacitive sensing element. Setra designs and manufactures all of their sensing elements resulting in full control over the process and quality of every single sensor. The welded dead-ended capacitive sensors requires minimal amplification and delivers excellent accuracy and longterm stability. Setra's technology has been used in over 8 million installations and has the highest field acceptance rate in the industry.



- $\pm 0.25\%$, $\pm 0.5\%$, $\pm 1\%$ FS Accuracy
- Excellent Price to Performance Ratio
- Reduce Installation Costs

Model 265 Features:

- Up to 10 PSI Overpressure
- 24 VDC or 24 VAC Excitation
- Voltage or Analog Outputs
- Reverse Wiring Protection
- Internal Regulation
- Fire Retardant Case (UL 94 V-0 Approved)
- Meets CE Conformance Standards

Applications:

- HVAC Systems
- Energy Management Systems
- Variable Air Volume and Fan Control (VAV)
- Environmental Pollution Control
- Static Duct and Cleanroom Pressures

Model 265

Very Low Differential Pressure Transducer



ORDERING INFORMATION

2	6	5	1	-						
Model	Range Code		Excitation/Output		Electrical Termination		Accuracy ¹			
2651 = Model 265	Unidirectional		Bidirectional		11	24VDC/ 4-20 mA	T1	Terminal Strip	C ±1% FS	
	R25WD	0 to 0.25"W.C.	0R1WB	±0.1"W.C.	2B	24VDC/ 0-5 VDC	A1	1/2" Conduit Enc.	E ±0.4% FS	
	0R5WD	0 to 0.5"W.C.	R25WB	±0.25"W.C.	AB	24VAC/ 0-5 VDC			F ±0.25% FS	
	001WD	0 to 1"W.C.	0R5WB	±0.5"W.C.	AC	24VAC/ 0-10 VDC			G ±1% FS	
	2R5WD	0 to 2.5"W.C.	001WB	±1"W.C.						
	005WD	0 to 5"W.C.	2R5WB	±2.5"W.C.						
	010WD	0 to 10"W.C.	005WB	±5"W.C.						
	025WD	0 to 25"W.C.	010WB	±10"W.C.						
	050WD	0 to 50"W.C.	025WB	±25"W.C.						
	100WD	0 to 100"W.C.	050WB	±50"W.C.						

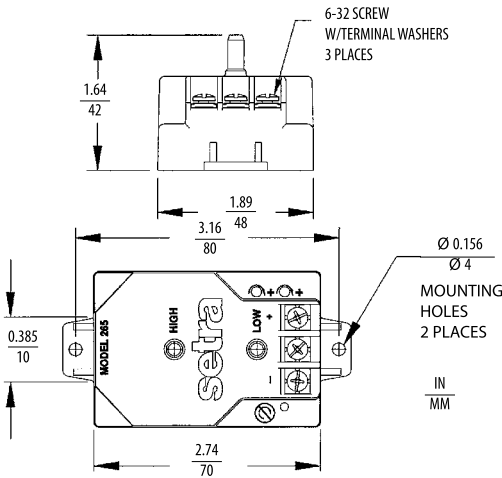
1. Optional Ranges E, F with Calibration Certificate. G with Calibration Certificate.

Ordering Example: 26512R5WD11T1C = Model 265, 0 to 25 in. WC Range, 4 to 20 mA Output, Terminal Strip Electrical Connection, ±1% Accuracy.

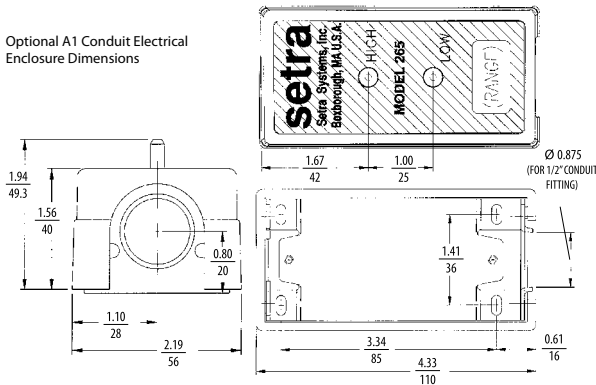
Please contact factory for versions not shown.

DIMENSIONS

Code T1 Electrical Termination Dimensions



Optional A1 Conduit Electrical Enclosure Dimensions



GENERAL SPECIFICATIONS

Performance Data			Physical Description	
	Standard	Optional	Pressure Fittings	1/4" Fitting
Accuracy RSS ¹ (at constant temp)	±1.0% FS	±0.4% FS ±0.25% FS	Case	Fire Retardant Glass Filled Polyester (UL 94-V Approved)
Non-Linearity, BFSL	±0.98% FS	±0.38% FS ±0.22% FS	Weight	3 oz
Hysteresis	0.10% FS	0.10% FS 0.10% FS	Elec. Connection	Screw Terminal Strip
Non-Repeatability	0.05% FS	0.05% FS 0.05% FS	Position Effect ⁴	
Thermal Effects ²			Range	Zero Offset (%FS/G)
Compensated Range °F (°C)	0 to +150 (-18 to +65)		To 0.5"W.C.	0.60
Zero Shift %FS/100°F(50°C)	±0.033 (±0.06)		To 1.0"W.C.	0.50
Span Shift %FS/100°F(50°C)	±0.033 (±0.06)		To 2.5"W.C.	0.22
Max. Line Pressure	10 PSI		To 5.0"W.C.	0.14
Overpressure	Up to 10 PSI (range dependent)		Electrical Data (Voltage)	
Long Term Stability	0.5% FS/YR		Circuit	3-Wire (Com, Out, Exc)
Warm-Up Shift	±0.1% FS Total		Excitation/Output ⁵	9 to 30 VDC / 0 to 5 VDC ⁶ 9 to 30 VAC / 0 to 5 VDC 12 to 30 VAC / 0 to 10 VDC ⁶
Pressure Media			Output Impedance	<100 ohms
Typically air or similar non-conducting gases.			Bidirectional output at zero pressure	2.5 VDC (±50 mV)
Environmental Data			Electrical Data (Current)	
Temperature			Circuit	2-Wire
Operating °F (°C) ³	0 to +150 (-18 to +65)		Output ⁷	4 to 20 mA ³
Storage °F (°C)	-40 to +185 (-40 to +85)		External Load	0 to 800 ohms
¹ RSS of Non-Linearity, Non-Repeatability and Hysteresis			Min. Loop Supply Voltage (VDC)	9 + 0.02 x (resistance of receiver plus line)
² Units calibrated at nominal 70°F. Maximum thermal error computed from this datum.			Max. Loop Supply Voltage (VDC)	30 + 0.004 x (resistance of receiver plus line)
³ Operating temperature of the electronics only. Pressure media temperatures may be considerably higher or lower.			Bidirectional output at zero pressure	12 mA
⁴ Unit is factory calibrated at 0g effect of vertical position.				
⁵ Calibrated into 50k ohm load. Operable into 5000 ohms or greater.				
⁶ Zero & Span (FS) output factory set to within ±50mV (±25 mV for optional accuracies).				
⁷ Calibrated at factory with a 24 VDC loop supply voltage and a 250 ohm load.				
⁸ Zero & Span (FS) output factory set to within ±0.16 mA (±0.08 mA for optional accuracies).				

NOTE: Setra quality standards are based on ANSI-Z540-1. The calibration of this product is NIST traceable.

U.S. Patent Nos. 5442962, 6019002, 6014800 and other Patents Pending. Specifications subject to change without notice