

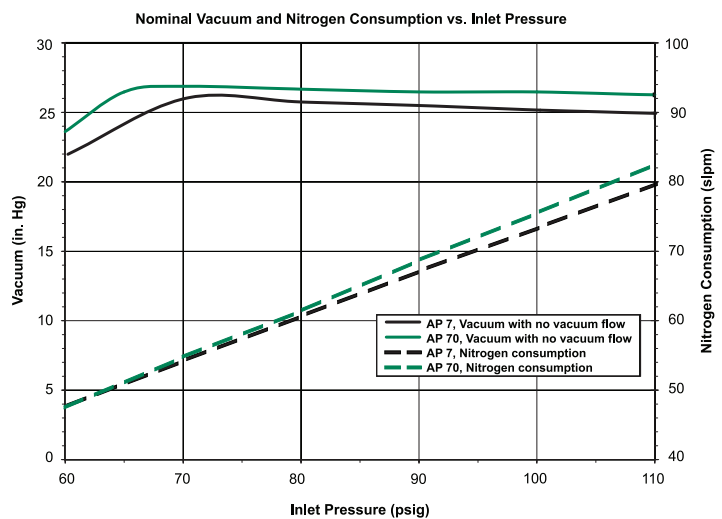
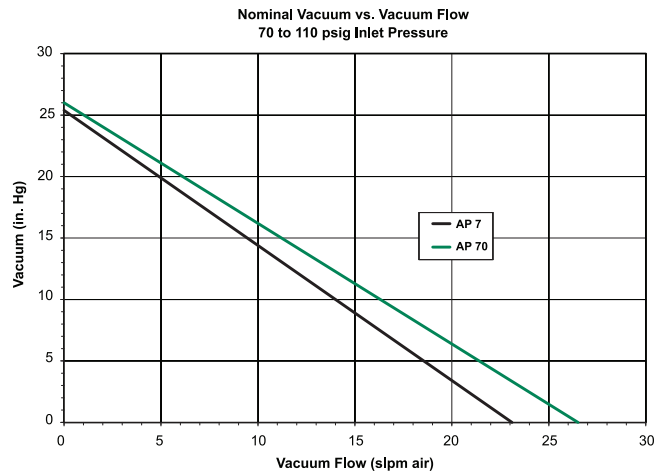
# SERIES AP 7 & AP 70

## VACUUM GENERATOR

- Stainless Steel 316L construction
- Cleaned, welded, assembled, tested and packaged in a Class 100 clean room
- Surface finish 15-20  $\mu$ in Ra
- Hot DI water cleaned
- 26 in. Hg (100 Torr) vacuum generated (refer to inlet pressure vs. vacuum curves for efficiency)
- Helium leak tested
- All welded construction
- Operating temperature 14° to 160°F (-10° to 71°C)
- Installation and operating instructions available at [www.aptech-online.com](http://www.aptech-online.com) in the Tech Briefs section

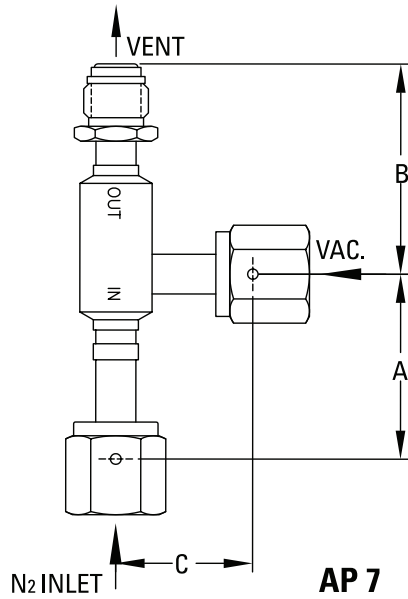
### Vacuum and Flow Specifications

Vacuum and flow specifications are based on a 3/8" diameter vent line of 30" overall length.

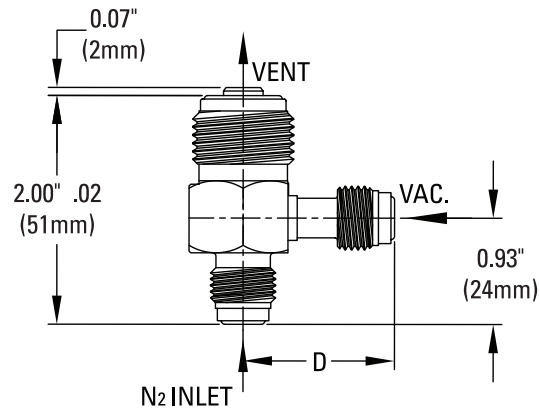


# ULTRACLEAN TECHNOLOGY BACKED BY SERVICE AND SUPPORT

## DIMENSIONAL INFORMATION



**AP 7**



**AP 70**

## PORTING CONFIGURATIONS

CONNECTION	A		B		C		D	
	in [±.02]	mm	in [±.02]	mm	in [±.02]	mm	in [±.02]	mm
<b>FV4, MV4</b>	1.62	41	1.83	46	1.18	30	1.31	33
<b>TW4</b>	1.25	32	1.46	37	0.81	21	0.97	25
<b>FV6, MV6</b>	2.13	54	2.34	59	1.69	43	1.85	47
<b>TW6</b>	1.25	32	1.46	37	0.81	21	0.97	25

- Optional connections and face to face dimensions available.
- Please consult your local representative or the factory for further information.

All dimensions in inches.  
Metric dimensions (mm) are for reference only.  
All specifications subject to change without notice.

**CAUTION:** Product selection is the sole responsibility of the user, regardless of any recommendations or suggestions made by the factory. The user shall make selections based upon their own analysis and testing with regard to function, material compatibility and product ratings. Proper installation, operation and maintenance are also required to assure safe, trouble free performance.

## ORDERING INFORMATION

Sample Order Number

**AP 7S 3PW FV4 FV4 FV4**

**AP 7 | Series**

AP 7  
AP 70

**S | Material**

S = Stainless steel (SS)

**3PW | Ports**

3PW\* = 3 ports butt weld

\*AP 70 does not specify porting in model number.  
3PW is for AP 7 only

**FV4 FV4 FV4 | Connections**  
N<sub>2</sub> Inlet /  
Vent/  
Vacuum

FV4 = 1/4 inch face seal female  
MV4 = 1/4 inch face seal male  
TW4 = 1/4 inch tube stub weld  
FV6 = 3/8 inch face seal female  
MV6 = 3/8 inch face seal male  
TW6 = 3/8 inch tube stub weld

**Note: AP 70 is only available with MV4 N<sub>2</sub> inlet and MV6 vent**