

Integral Burst Indication for Metal Bursting Discs

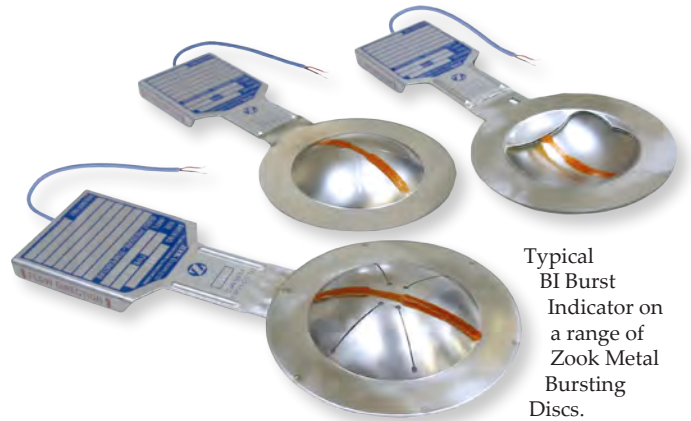
Over pressure or discharge indication for metal bursting disc installations. The BI Integral Burst Indicator is a simple and effective means of indicating when the process media ruptures a disc.

Operation

The BI is integrated into the vent side of the bursting disc assembly. Upon rupture of the disc, the BI alarm circuit is opened.

Materials

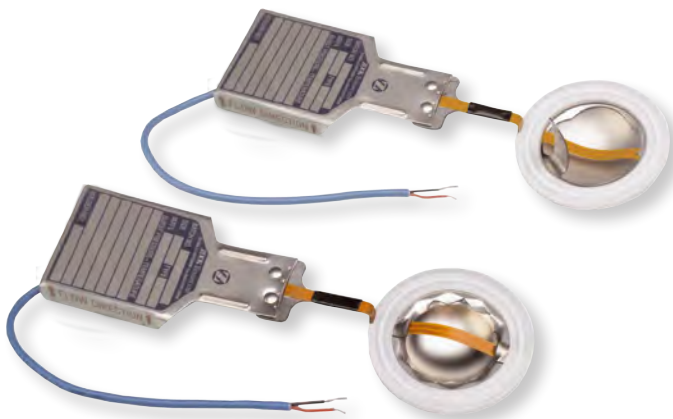
- Membrane – Kapton®
- Conductive material – Copper
- Leadwire – 2 m, 24 AWG, 2 conductor



Typical BI Burst Indicator on a range of Zook Metal Bursting Discs.

Features

- Less affected by back pressure from common discharge manifolds.
- Compatible with most Zook flat-seat metal & sanitary bursting discs.
- Classified as a simple apparatus and may be used in a hazardous environment. Must be used in conjunction with intrinsically safe certified electrical apparatus and installed & maintained to meet all other requirements of an intrinsically safe installation & local codes.
- Cost effective against traditional remote membrane type detectors, especially in larger sizes.
- Reduces stock inventory by incorporating the burst indicator and disc into a single unit.
- Supplied complete with 2 m signal cable.



BI Burst Indicator on RAUS & RLPS Sanitary Metal Bursting Discs.



ZOOK Enterprises, LLC
16809 Park Circle Drive
Chagrin Falls, OH 44002 U.S.A



Toll Free **800.543.1043**
Phone **440.543.1010**
Fax **440.543.4930**
E-Mail sales@zook.cc

ZOOK Canada, Inc.
4400 South Service Road
Burlington, ON Can. L7L 5R8

Toll Free **800.370.6057**
Phone **905.681.2885**
Fax **905.681.8838**
E-Mail sales.canada@zook.cc

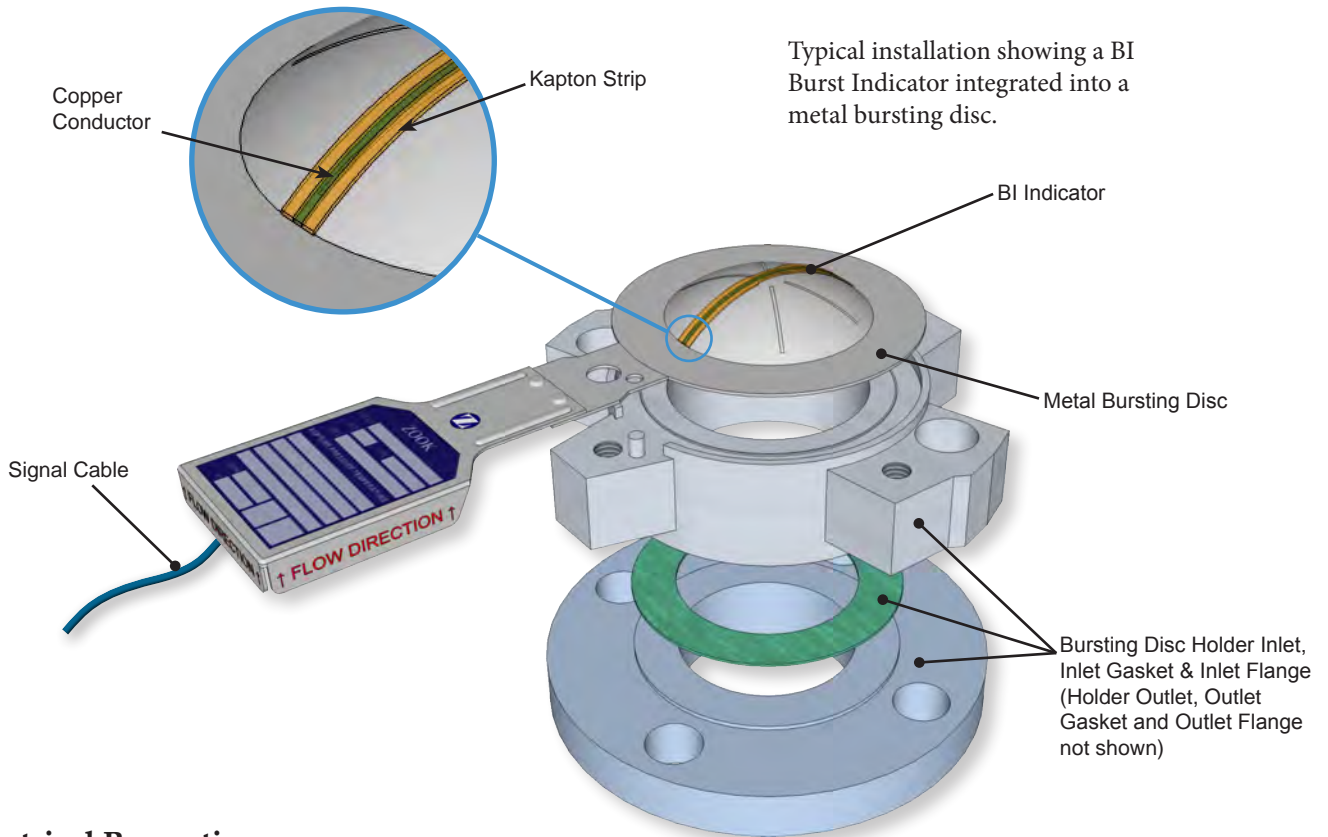
ZOOK Europe, Ltd.
Navigation House, Bridge Street
Killamarsh, Sheffield, UK S21 1AL

Phone **0044 (0) 1909 560999**
Fax **0044 (0) 1909 560860**
E-mail zookeurope@zook.cc



BI Series - Integrated Disc Burst Indicator

Typical Installation



Electrical Properties

Max. Pre-Burst Resistance	20 Ω	Maximum Voltage	24 V DC
Temperature Range	-40 to +200°C	Maximum Current	50 mA

Operating Schematic

