

GO REGULATOR

BP-66 Series

High Pressure Back Pressure Regulators (10,000 psig)

Introduction

The BP-66 Series is the counterpart of the PR-57 pressure reducing series for systems that are higher in pressure and low to moderate flows. This regulator has piston sensing to provide relief at high pressures. The Polyimide/stainless seat assembly provides good shutoff in most applications. For economy purposes the cap assembly and knob are of aluminum construction as in the PR-57 companion unit. Good sensitivity and a selection of control ranges make this regulator an excellent selection in many research and pilot plant facilities.



pressure regulators

Typical Applications

- Pilot plants
- Research labs

Technical Data

CONSTRUCTION	316L stainless steel (standard) Monel® and titanium (optional)
ADJUSTABLE PRESSURE CONTROL RANGES	0–2000, 0–4000, 0–6000, 0–7500 and 0–10,000 psig
OPERATING TEMPERATURE	–40° F to +350° F (–40° C to +177° C)
C_v COEFFICIENT	0.04 (standard) 0.01 and 0.12 (optional)
INLET/OUTLET CONNECTIONS	¼" FNPT (standard) AN 10050-4, SAE J514, MS 33649, or ⅜" FNPT (optional)

Features & Benefits

- Spring-loaded piston sensor
- Gas and liquid service
- Viton® seals (other elastomers optional)

Options:

- Panel mounting
- Monel® and titanium body construction
- C_v of 0.01 or 0.12
- AN 10050-4, SAE J514, MS 33649 or ⅜" FNPT connections

GO Regulator

405 Centura Court • PO Box 4866 (29305) • Spartanburg, SC 29303
Phone (864) 574-7966 Fax (864) 574-5608
www.goreg.com • sales@goreg.com

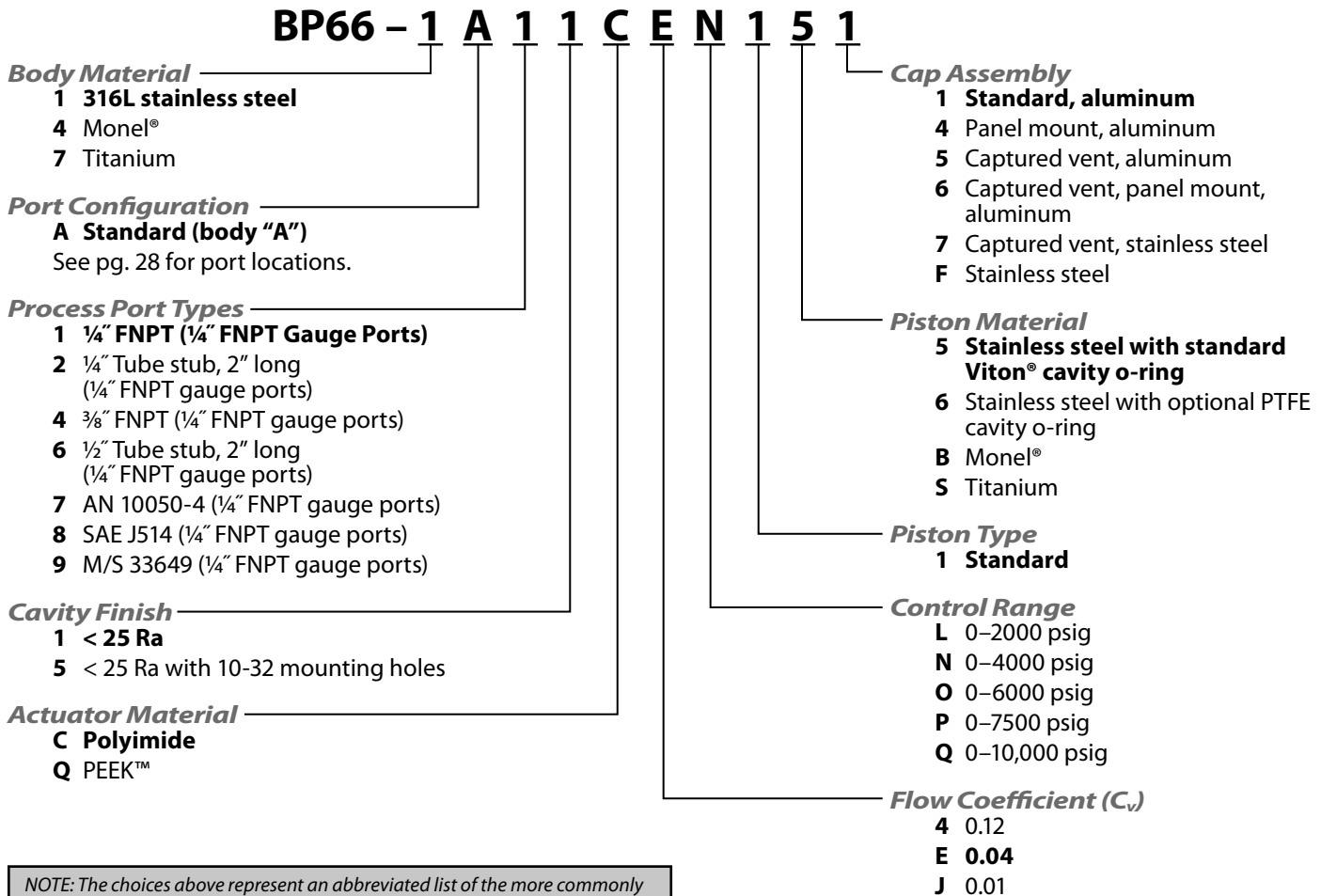
High Pressure Back Pressure Regulators (10,000 psig)

Maximum Temperature and Control Pressures

SEAT MATERIAL	MAXIMUM TEMPERATURE	@	MAXIMUM CONTROL RANGE
Polyimide	350° F (177° C)	@	10,000 psig (68.8 MPa)
PEEK™	350° F (177° C)	@	10,000 psig (68.8 MPa)

How to Order

For additional configurations, consult the factory. **Standard items in bold.**



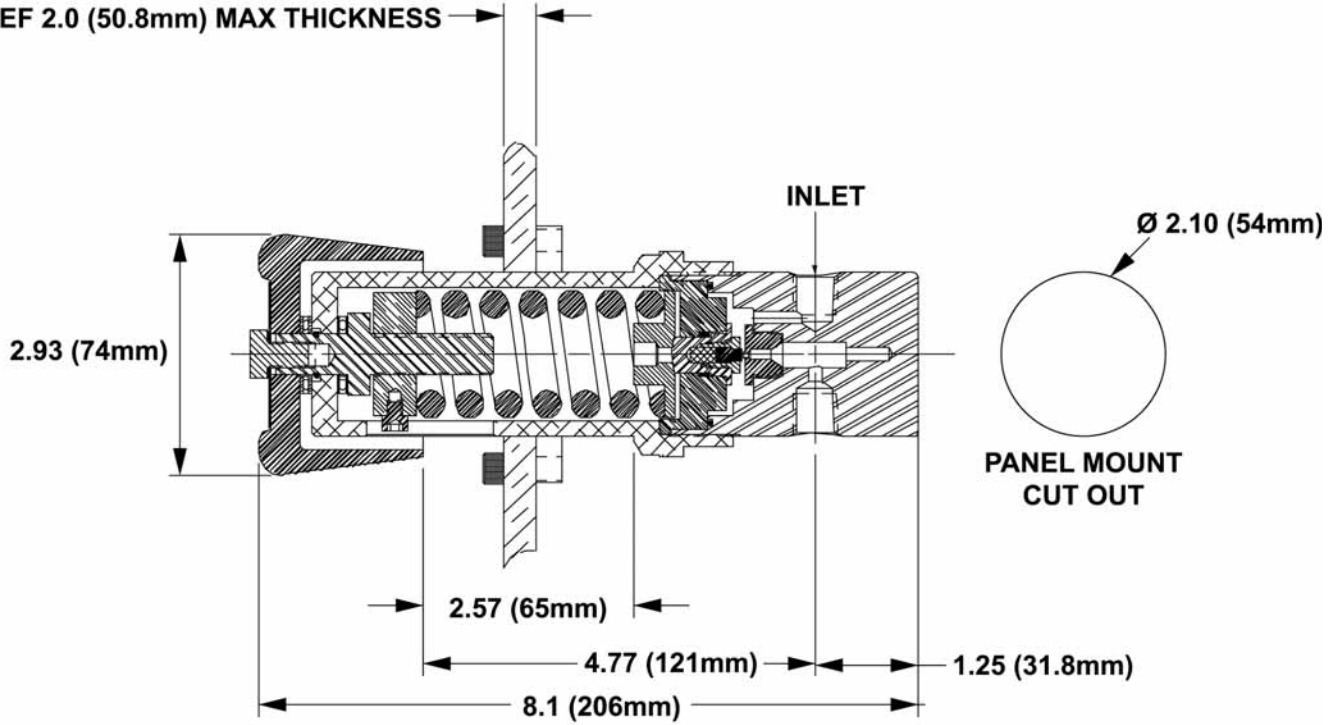
NOTE: The choices above represent an abbreviated list of the more commonly ordered options. For a complete listing of all available options, please see the Selection Wizard on the GO website at www.goreg.com or contact the factory.

For flow curve charts, visit <http://www.goreg.com>.

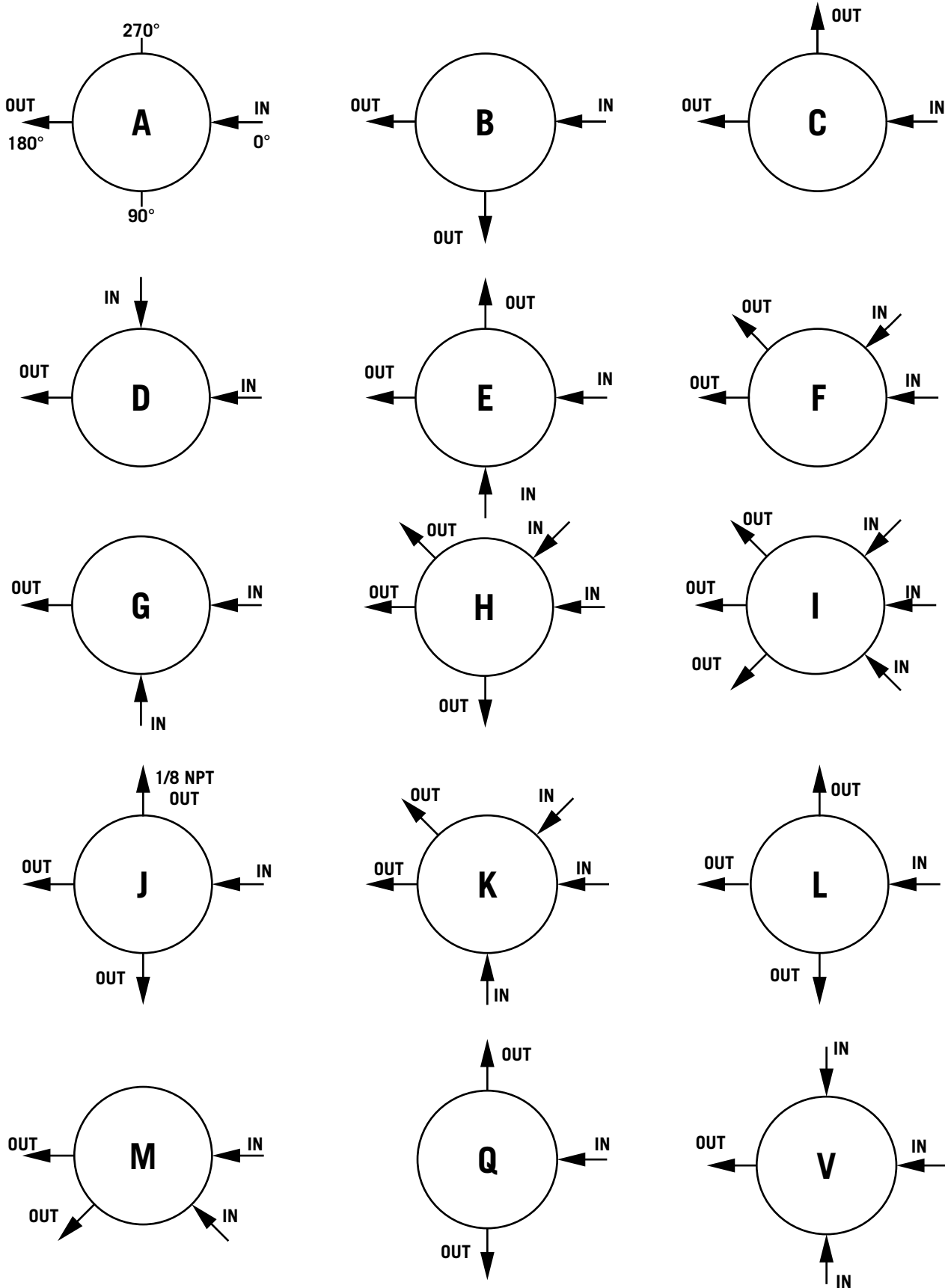
High Pressure Back Pressure Regulators (10,000 psig)

Outline and Mounting Dimensions

PANEL REF 2.0 (50.8mm) MAX THICKNESS



Port Locations (Back Pressure Regulators)

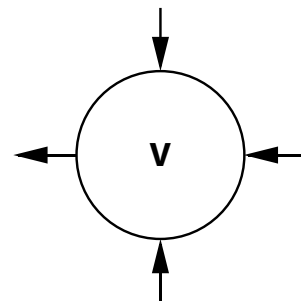
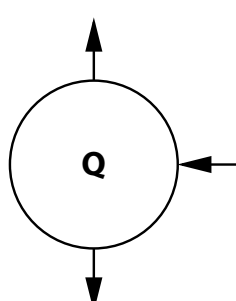
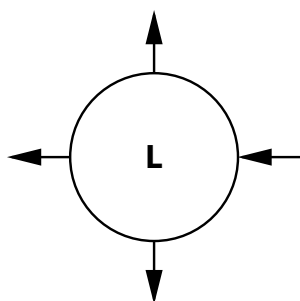
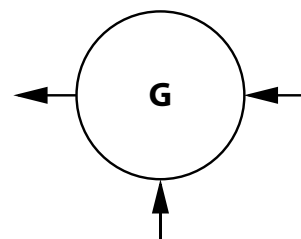
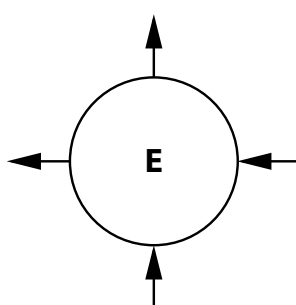
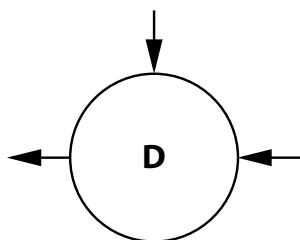
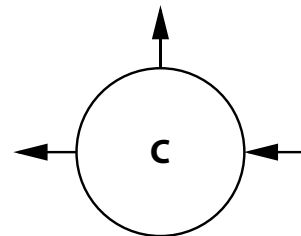
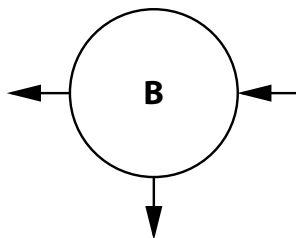
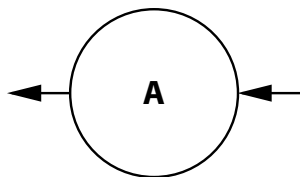


LOCATION OF PORTS FROM TOP VIEW

Porting Options for LB-1 Back Pressure Valve

Arrow pointing toward body is inlet, arrow pointing away from body is outlet.

LOCATION OF PORTS FROM TOP VIEW



SURFACE MOUNT STYLES
requires "Surface Mount" port type connections

#1

Center port is outlet, all other ports are inlets.
Location of ports from bottom view