

# GO REGULATOR

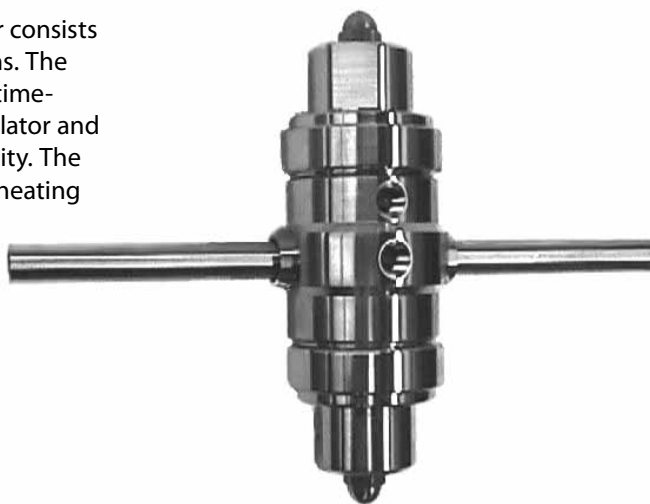
## DHR Series

Steam Heated Dual Pressure Regulators

### Introduction

The Dual Heated Pressure Regulator is designed to supply heat to samples entering instrumentation systems. It can be used to preheat liquids, to prevent condensation of gases or to vaporize liquids prior to gas analysis. Significant space savings can be realized due to the utilization of two discrete regulators that are heated by a common source.

The modular design of the Dual Heated Regulator consists of a heating element and pressure control sections. The pressure control sections are patterned after the time-proven design of the PR-1 pressure reducing regulator and provides the same excellent outlet pressure stability. The heat exchanger section is made up a body and a heating element.



### Typical Applications

#### **Analytical process sample conditioning systems:**

- Petrochemical refineries
- Chemical production facilities
- Pilot plants (chemical & petrochemical)
- LNG loading and off-loading points
- Natural gas pipeline sampling

### Technical Data

CONSTRUCTION	316L stainless steel
OUTLET PRESSURES	0-10, 0-25, 0-50, 0-100, 0-250, and 0-500 psig
OPERATING TEMPERATURE	up to 550° F (285° C)
C <sub>v</sub> COEFFICIENTS	0.06, 0.025, 0.2

### Features & Benefits

- Optional Hastelloy® C-276 and Monel®
- Electropolished body with better than 25 Ra finish in diaphragm cavity for an optimal sealing surface
- Bubble-tight shutoff
- Modular pressure control and heat exchanger assemblies for easy maintenance

### GO Regulator

405 Centura Court • PO Box 4866 (29305) • Spartanburg, SC 29303

Phone (864) 574-7966 Fax (864) 574-5608

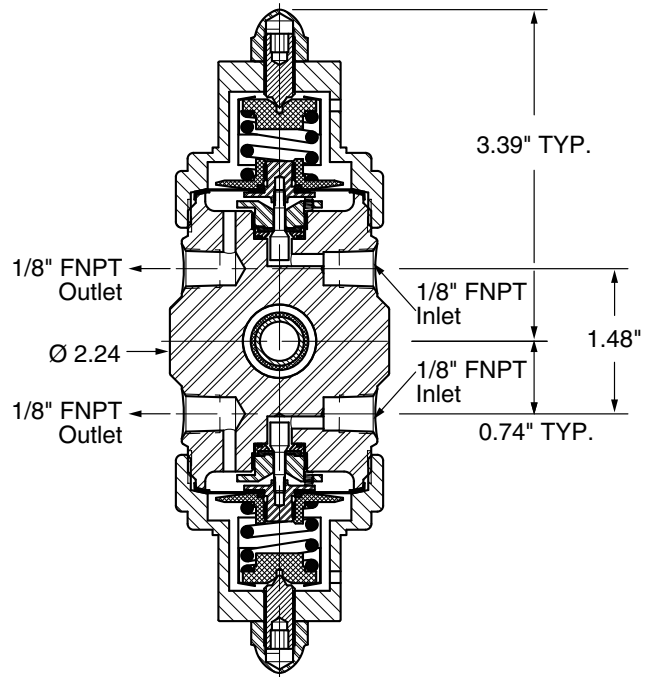
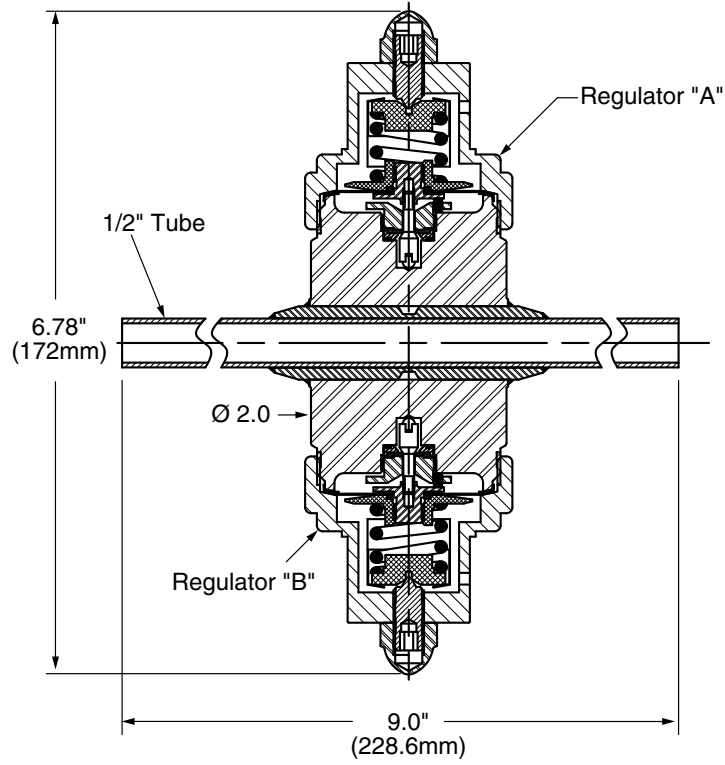
www.goreg.com • sales@goreg.com

pressure regulators

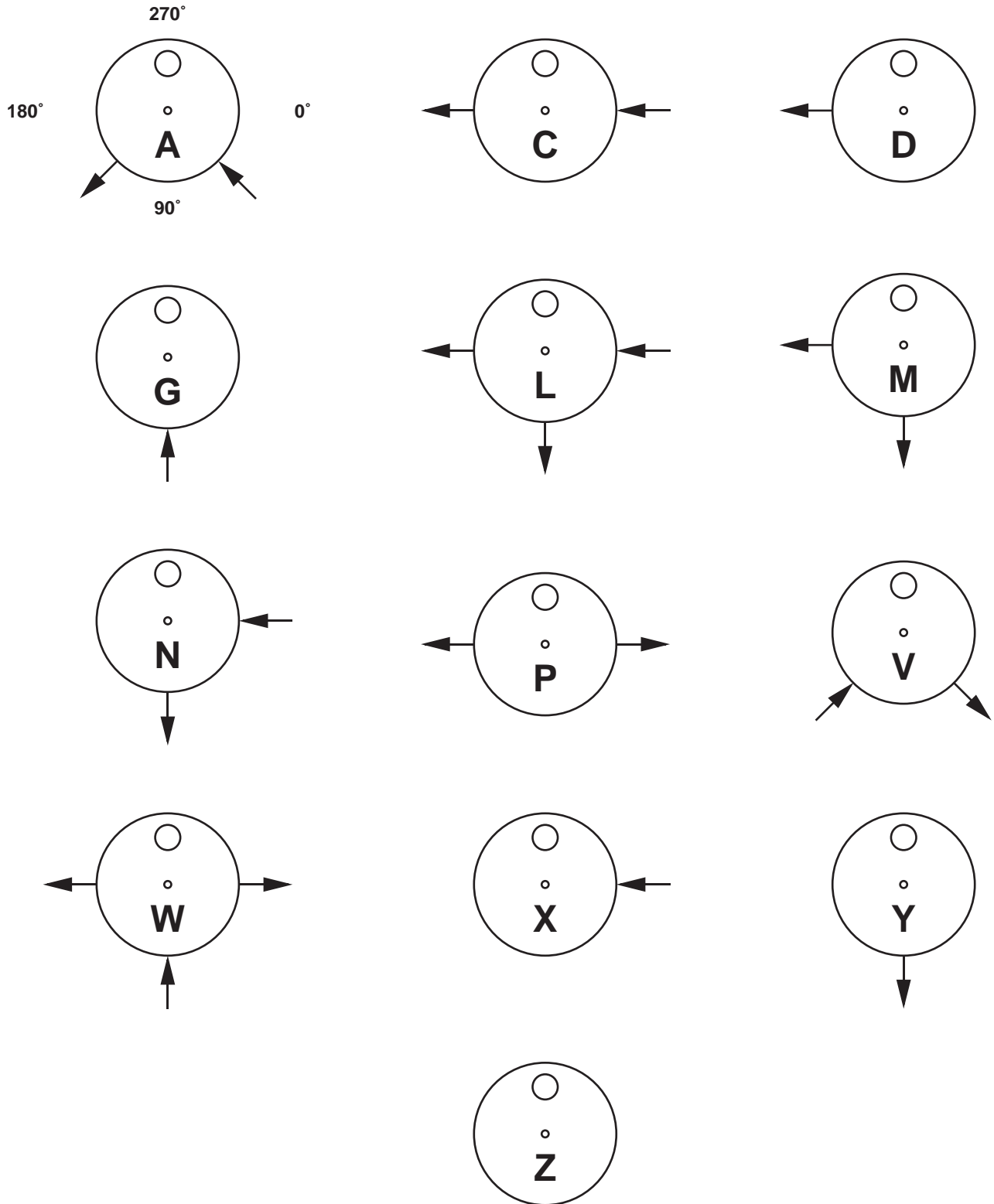


# DHR Series

## Outline and Mounting Dimensions

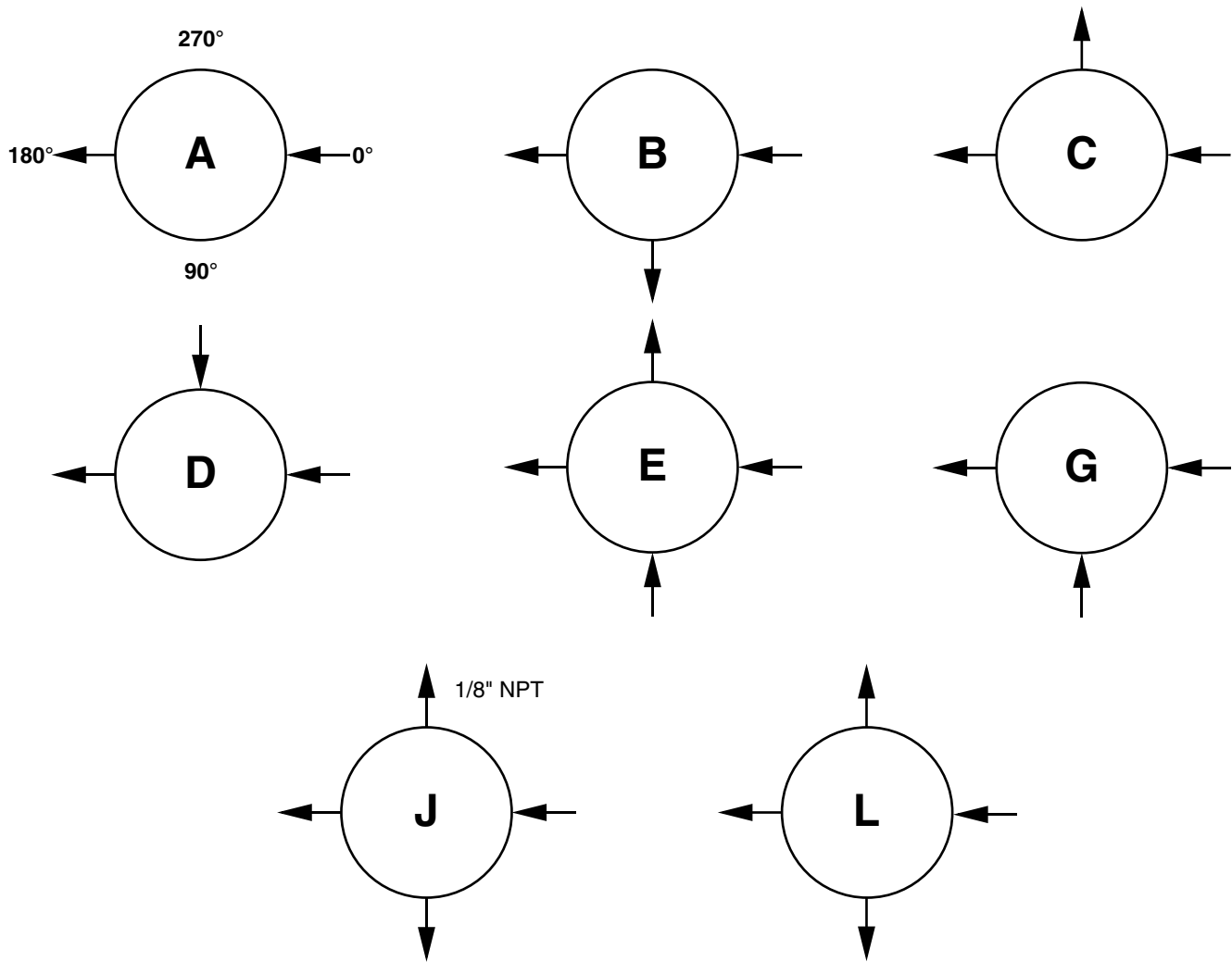


# Porting Configurations (Pressure Regulator Body) for HPR-2 Steam & Electric and HPR-2XW Steam & Electric Series



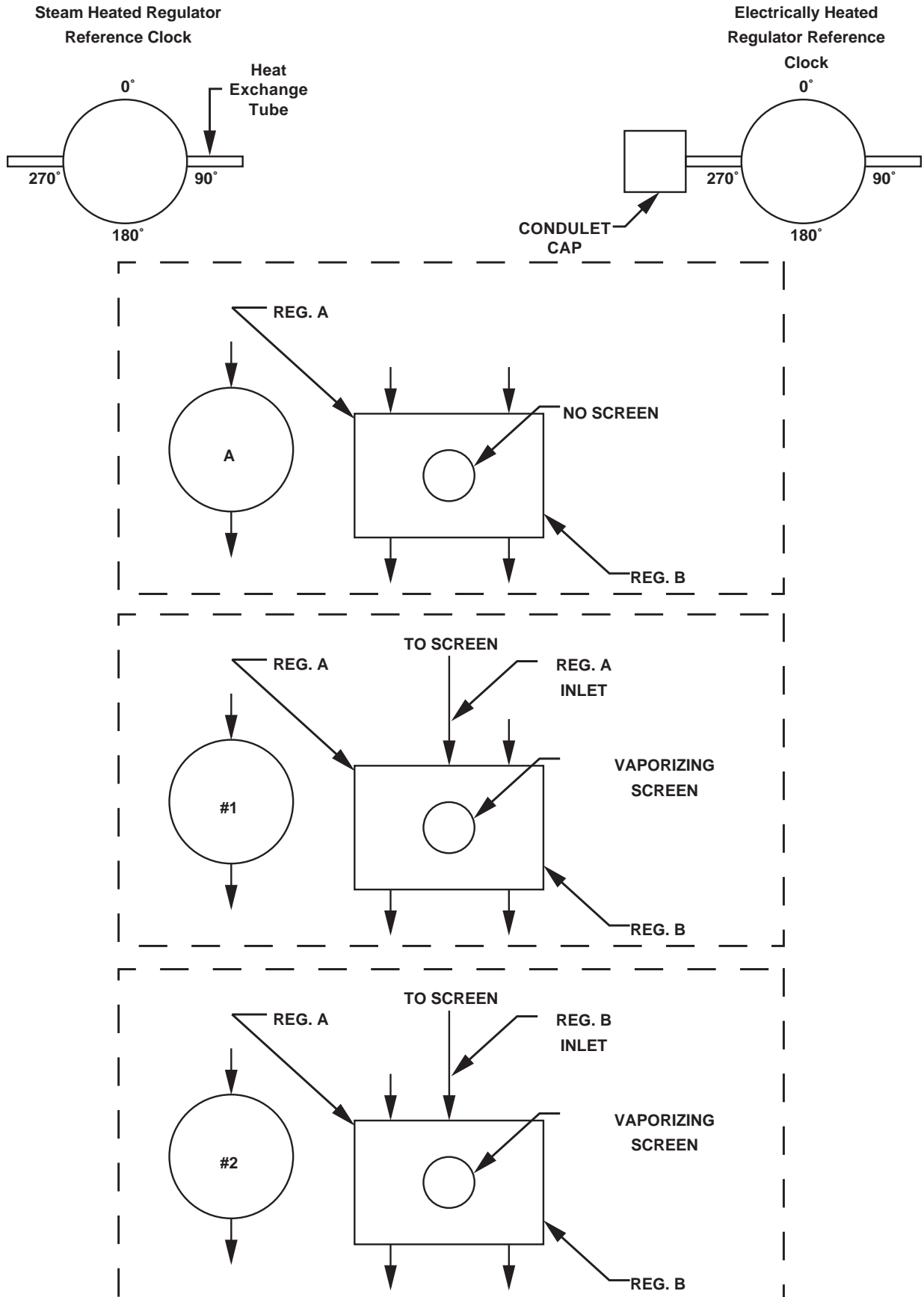
Location of ports from top view. Arrow pointing toward body is inlet. Arrow pointing away from body is outlet.

# Porting Configurations for MV-1 Series



Location of ports from top view. Arrow pointing toward body is inlet. Arrow pointing away from body is outlet.

# Porting Configurations for DHR Steam & Electric Series



Location of ports from to of regulator "A". Arrow pointing toward body is inlet. Arrow pointing away from body is outlet.

# Heater Block Configurations for HPR-2 Steam & Electric and HPR-2XW Steam & Electric Series

