

GO REGULATOR

DL-56 Series

Dome-loaded Pressure Regulator

The DL-56 is a compact and robust design which employs a unique "Dual Piston" set up that enables the user to control pressure up to 6000 psig (414 bar) with as little as 40 psig (3 bar) of dome pressure. All of this is accomplished within the smallest envelope the industry has to offer.

The regulator portion of this unit was patterned after the time tested PR-56 Series, which is widely recognized as a benchmark of performance and quality. Offering the utmost in economy and safety, this unit is constructed from brass and alloy 316L stainless steel piston sensor repeatability. An independent test was run and showed that the unit's ability to repeat to a set point and low operating hysteresis is unsurpassed throughout the industry.

Completing this design is the addition of an anodized aluminum (316 stainless steel optional) dome unit. The inlet is captured by a high tensile snap ring. alignment of the dome gas line within excellent leak integrity.



of an anodized aluminum (316 stainless steel optional) dome unit. The inlet is captured by a high tensile snap ring. This feature allows easy positioning and a customer's system while maintaining

of an anodized aluminum (316 stainless steel optional) dome unit. The inlet is captured by a high tensile snap ring. This feature allows easy positioning and a customer's system while maintaining

Typical Applications

- Pilot plant
- Off-shore oil and gas rigs
- Pneumatic test benches
- Component testing
- R & D systems
- High pressure booster systems

Features & Benefits

- Gas or liquid service
- Better than 25 Ra finish in diaphragm cavity
- Stainless steel piston sensor
- 20 micron inlet filter
- Bubble-tight shutoff
- Remote dome-loading

Technical Data

CONSTRUCTION	Brass (alloy 360)
DOME RATIOS	11 : 1, 20 : 1, 43 : 1, 56 : 1, 76 : 1, 108 : 1, 122 : 1 and 172 : 1
INLET/OUTLET PORTS	1/4" FNPT (standard)
OUTLET PRESSURES	up to 6000 psig (414 bar)
Cv COEFFICIENTS	0.05, 0.20

GO Regulator

405 Centura Court • PO Box 4866 (29305) • Spartanburg, SC 29303
Phone (864) 574-7966 Fax (864) 574-5608
www.goreg.com • sales@goreg.com

pressure regulators

DL-56 Series

How to Order

Standard items in bold.

DL56 - 2 A 1 1 A 2 0 1 1 1

BODY MATERIAL

2 Brass

PORT CONFIGURATIONS

A Standard

For more port configurations, see page 9.

PROCESS PORT TYPES

(GAUGE PORT TYPE, IF SPECIFIED)

- 1 1/4" FNPT (1/4" FNPT gauge ports)**
- 4 3/8" FNPT (1/4" FNPT gauge ports)**
- 7 AN 10050-4 (1/4" FNPT gauge ports)**
- 8 SAE J514 (1/4" FNPT gauge ports)**
- 9 M/S 33649 (1/4" FNPT gauge ports)**
- F 1/4" Aminco (1/4" FNPT gauge ports)**

SURFACE FINISH OF DIAPHRAGM CAVITY

- 1 < 25 Ra**
- 5 < 25 Ra with 10-32 mounting holes**

SEAT MATERIAL

- A Tefzel®**
- C Polyimide**
- H PCTFE (formerly Kel-F® 81)**
- I High density PTFE**
- Q PEEK™**

DOMESTYLE

- 1 Standard, aluminum**
- 2 Captured vent, aluminum**
- 3 Stainless steel**
- 4 Captured vent, stainless steel**

PISTON MATERIAL

- 1 Stainless steel**

PISTON TYPE

- 1 Non-self-relieving, Viton® cavity o-ring**
- 2 Non-self-relieving, PTFE cavity o-ring**
- 3 Self-relieving, Viton® cavity o-ring**
- 4 Self-relieving, PTFE cavity o-ring**

DOMERATIO

- 0 11 : 1**
- 1 43 : 1**
- 2 56 : 1**
- 3 76 : 1**
- 4 108 : 1**
- 5 122 : 1**
- 6 172 : 1**
- 7 20 : 1**

FLOW COEFFICIENT (Cv)

- 2 0.05**
- 5 0.2**

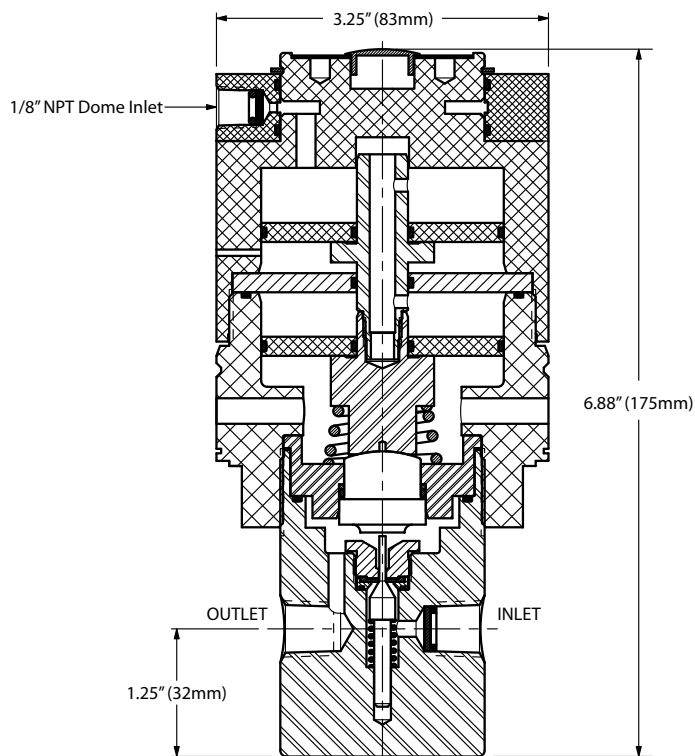
NOTE: The choices above represent an abbreviated list of the more commonly ordered options. For a complete listing of all available options, please see the Selection Wizard on the GO website at www.goreg.com or contact the factory.

Maximum Temperature & Operating Inlet Pressures

SEAT MATERIAL	MAXIMUM TEMPERATURE	@	MAXIMUM OPERATING INLET PRESSURE
Tefzel®	150° F (66° C)	@	3600 psig (248 bar)
High density PTFE	150° F (66° C)	@	3600 psig (248 bar)
PCTFE (formerly Kel-F®) 81	175° F (80° C)	@	6000 psig (414 bar)
Polyimide	175° F (80° C)	@	6000 psig (414 bar)
PEEK™	175° F (80° C)	@	6000 psig (414 bar)

Outline and Mounting Dimensions

Weight = 5.4 lbs (2.45kg)



20:1 RATIO, NON S/R, 0.05 Cv, STANDARD DOME MATERIAL

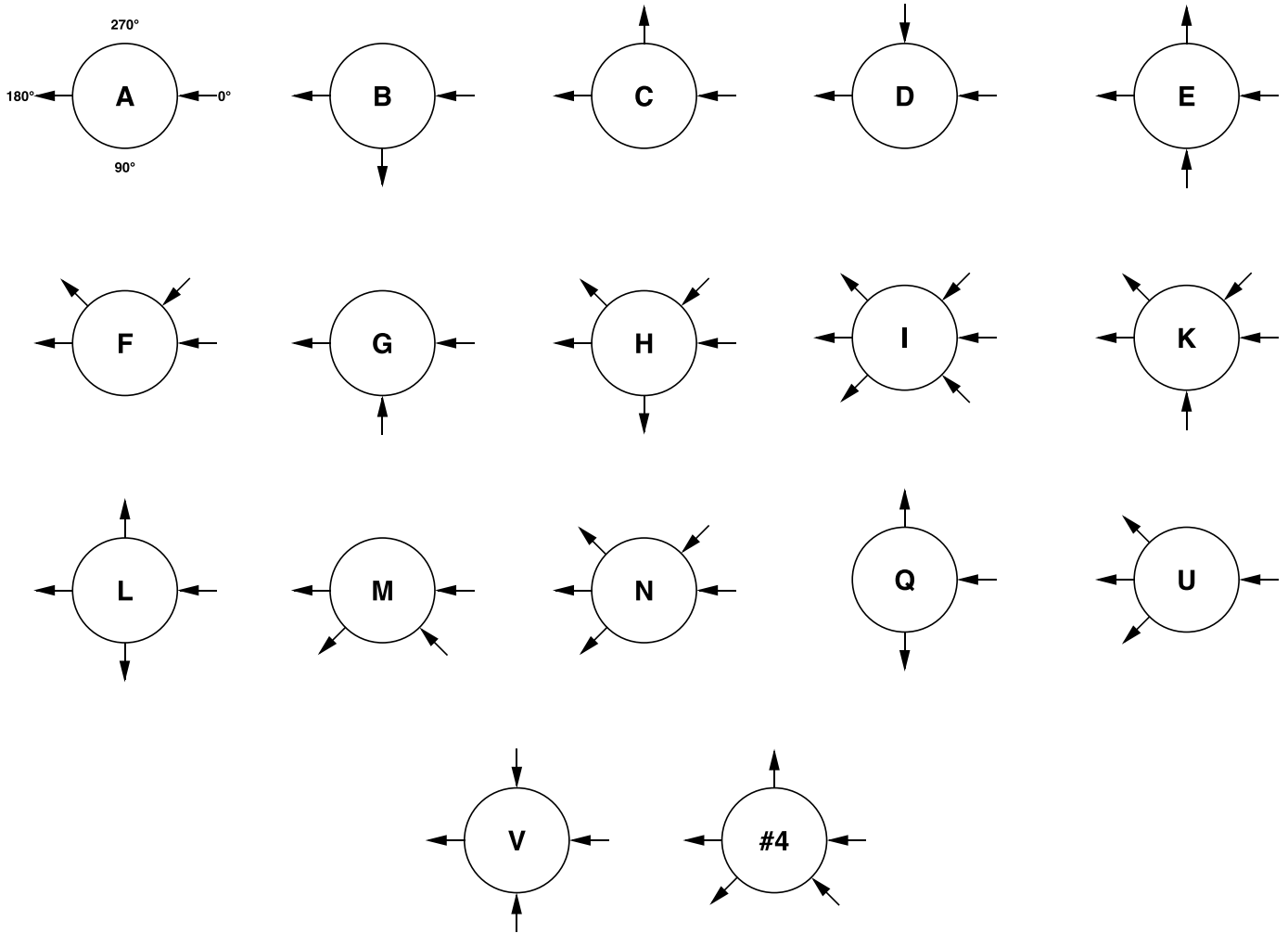
Tefzel® is a registered trademark of the DuPont Company.

Kel-F® is a registered trademark of 3M Company.

PEEK™ is a trademark of Victrex PLC.

Viton® is a registered trademark of DuPont Dow Elastomers.

Porting Configurations for Dome-loaded Pressure Regulators



**LOCATION OF PORTS FROM
TOP VIEW**