

## DL-57 Series

### Dome-loaded Pressure Regulator

The DL-57 is a compact and robust design which employs a unique “Dual Piston” set up that enables the user to control pressure up to 10,000 psig (689 bar) with as little as 58 psig(4 bar) of dome pressure. All of this is accomplished within the smallest envelope the industry has to offer.

The regulator portion of this unit was Series, which is widely recognized quality. Offering the utmost in safety constructed from 316L stainless steel. unit offers good sensitivity and run and showed that the unit’s ability hysteresis is unsurpassed through out

Completing this design is the addition steel optional) dome unit. The inlet captured by a high tensile snap ring. alignment of the dome gas line within excellent leak integrity.



patterned after the time tested PR-57 as a benchmark of performance and and corrosion prevention, this unit is A carefully engineered piston sensor repeatability. An independent test was to repeat to a set point and low operating the industry.

of an anodized aluminum (316 stainless ring to the dome is freely rotating and This feature allows easy positioning and a customer’s system while maintaining

### Typical Applications

- Pilot plant
- Off-shore oil and gas rigs
- Pneumatic test benches
- Component testing
- R & D systems
- High pressure booster systems

### Features & Specifications

- Gas or liquid service
- Better than 25 Ra finish in diaphragm cavity
- Stainless steel piston sensor
- 20 micron inlet filter
- Bubble-tight shutoff
- Remote dome-loading

### Technical Data

<b>CONSTRUCTION</b>	316L stainless steel construction (Monel® optional)
<b>DOMES RATIOS</b>	11:1, 20:1, 43:1, 56:1, 76:1, 108:1, 122:1, and 172:1
<b>INLET/OUTLET PORTS</b>	¼" FNPT (standard)
<b>OUTLET PRESSURES</b>	up to 10,000 psig (689 bar)
<b>Cv COEFFICIENTS</b>	0.05, 0.20

### GO Regulator

405 Centura Court • PO Box 4866 (29305) • Spartanburg, SC 29303  
Phone (864) 574-7966 Fax (864) 574-5608  
www.goreg.com • sales@goreg.com

pressure regulators

# DL-57 Series

## How to Order

Standard items in bold.

**DL57 - 1 A 1 1 Q 2 3 1 1 1**

### BODY MATERIAL

- 1 316L stainless steel**
- 4 Monel®

### PORT CONFIGURATIONS

**A Standard**

For more port configurations, see page 9.

### PROCESS PORT TYPES

(GAUGE PORT TYPE, IF SPECIFIED)

- 1 1/4" FNPT (1/4" FNPT gauge ports)**
- 2 1/4" tube stub, 2" long (1/4" FNPT gauge ports)
- 4 3/8" FNPT (1/4" FNPT gauge ports)
- 7 AN 10050-4 (1/4" FNPT gauge ports)
- 8 SAE J514 (1/4" FNPT gauge ports)
- 9 M/S 33649 (1/4" FNPT gauge ports)
- F 1/4" Aminco (1/4" FNPT gauge ports)
- K 1/4" sch 40 pipe stub, 4" long (1/4" FNPT gauge ports)

### SURFACE FINISH OF DIAPHRAGM CAVITY

- 1 < 25 Ra**
- 5 < 25 Ra with 10-32 mounting holes

### SEAT MATERIAL

- C Polyimide
- Q PEEK™**

### DOMESTYLE

- 1 Aluminum**
- 2 Captured vent, aluminum
- 3 Stainless steel
- 4 Captured vent, stainless steel

### PISTON MATERIAL

- 1 Stainless steel**
- 4 Monel®

### PISTON TYPE

- 1 Non-self-relieving, Viton® cavity o-ring
- 2 Non-self-relieving, PTFE cavity o-ring
- 3 Self-relieving, Viton® cavity o-ring
- 4 Self-relieving, PTFE cavity o-ring

### DOMERATIO

- 0 11:1
- 1 43:1
- 2 56:1
- 3 76:1
- 4 108:1
- 5 122:1
- 6 172:1
- 7 20:1

### FLOW COEFFICIENT (Cv)

- 2 0.05
- 5 0.2

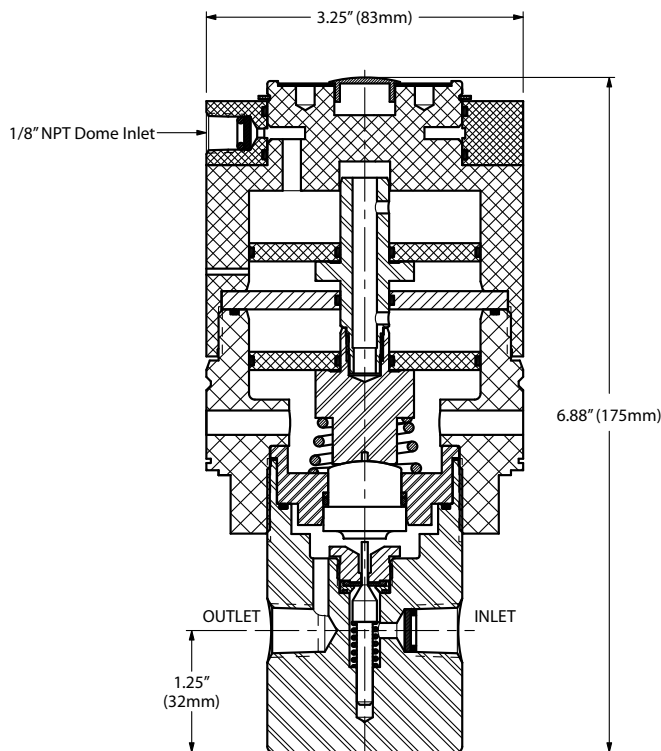
NOTE: The choices above represent an abbreviated list of the more commonly ordered options. For a complete listing of all available options, please see the Selection Wizard on the GO website at [www.gore.com](http://www.gore.com) or contact the factory.

## Maximum Temperature & Operating Inlet Pressures

SEAT MATERIAL	MAXIMUM TEMPERATURE	@	MAXIMUM OPERATING INLET PRESSURE
Polyimide	150° F (66° C)	@	10,000 psig (689 bar)
PEEK™	150° F (66° C)	@	10,000 psig (689 bar)

## Outline and Mounting Dimensions

Weight = 5.4 lbs (2.45kg)



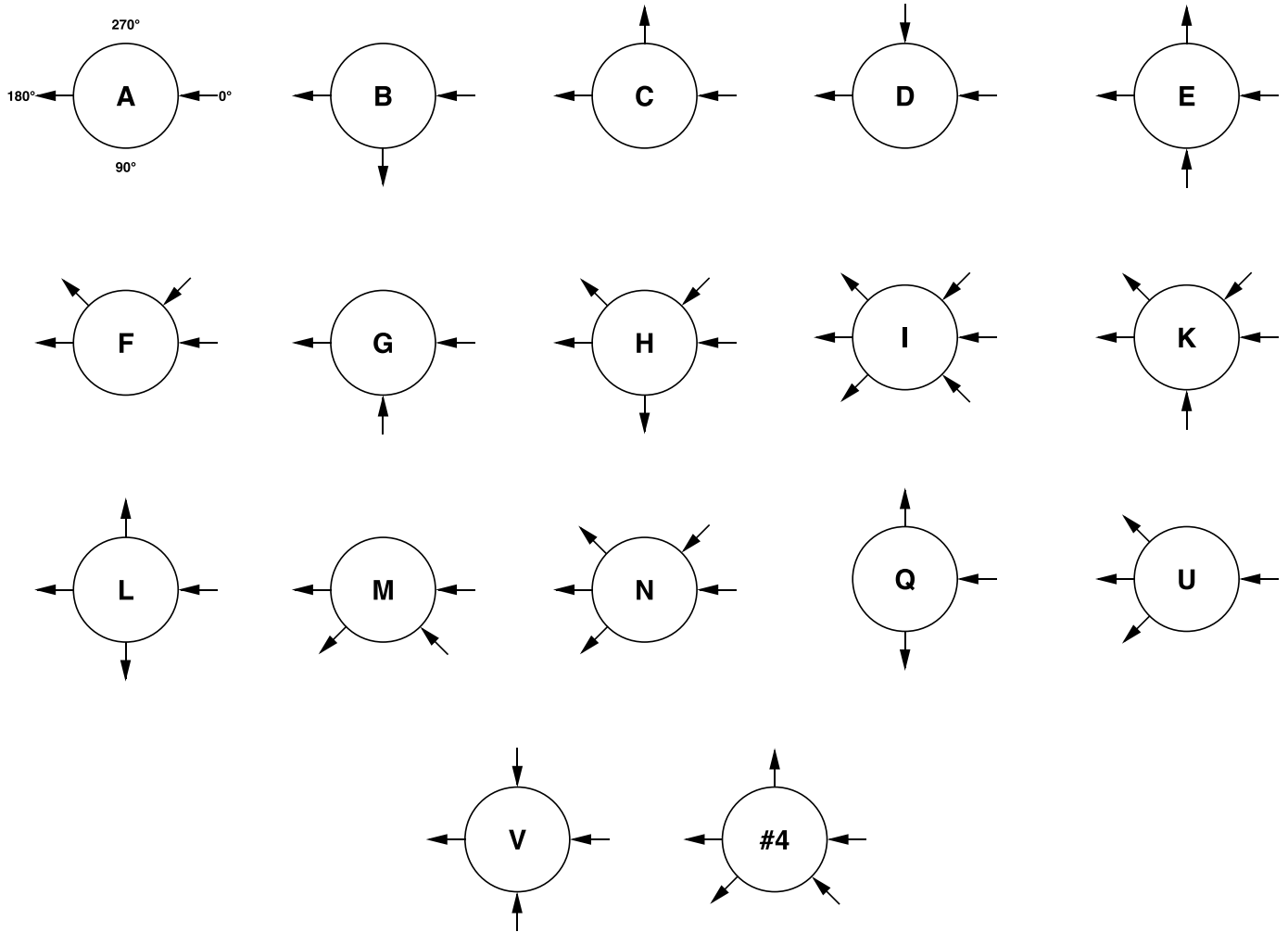
20:1 RATIO, NON S/R, 0.05 Cv, STANDARD DOME MATERIAL

Monel® is a registered trademark of Special Metals Corporation.

PEEK™ is a trademark of Victrex PLC.

Viton® is a registered trademark of DuPont Dow Elastomers.

# Porting Configurations for Dome-loaded Pressure Regulators



**LOCATION OF PORTS FROM  
TOP VIEW**