

Pressure Control Valves

Pressure Reducing Valves DM 618

Standard Cast Valve for Liquids and Gases



Technical Data

Connection DN	15 - 100
Nominal Pressure PN	16 - 40
Inlet Pressure	up to 40 bar
Outlet Pressure	0.8 - 10 bar
K _{vs} -Value	4.5 - 110 m ³ /h
Temperature	130 °C
Medium	liquids, gases

Description

Self-acting pressure reducers are simple control valves offering accurate control while being easy to install and maintain. They control the pressure downstream of the valve without requiring pneumatic or electrical control elements.

The pressure reducing valve DM 618 is a diaphragm-operated, spring-loaded and balanced proportional valve for high flow rates. The valve body is made of cast steel, the internal parts are of stainless steel 316L. The valve cone is fitted with a soft seal.

The outlet pressure to be controlled is balanced across the control unit by the force of the valve spring (set pressure). As the outlet pressure rises above the pressure set using the adjusting screw, the valve cone moves towards the seat and the volume of medium is reduced. As the outlet pressure drops, the valve control orifice increases; when the pipeline is depressurised, the valve is open. Rotating the adjusting screw clockwise increases the outlet pressure.

The valves requires a sense line (to be installed on-site).

These valves are no shut-off elements ensuring a tight closing of the valve. In accordance with DIN EN 60534-4 and/or ANSI FCI 70-2 they may feature a leakage rate in closed position in compliance with the leakage classes V (soft seal cone = $1.8 \times 10^{-5} \times \Delta p \times D^*$ [l/h], *D=seat diameter).

Standard

- » Body made of GS-C 25 1.0619 (A216-WCB)*
- » Medium wetted internal parts made of stainless steel 316L / Duplex
- » Closed spring cap with leakage line connection and sealed adjusting screw
- » Balanced cone for controlling the outlet pressure independently from the initial pressure
- » Sense line connection
- » EPDM elastomers

Options

- » Various diaphragm and seal materials suitable for your medium

Operating instructions, know how and safety instructions must be observed. All the pressure has always been indicated as overpressure. We reserve the right to alter technical specifications without notice.



DN	15	20	25	40	50	65	80	100
m ³ /h	4.5	8	8	32	40	65	100	110

bar	0.8 - 2.5	2 - 5	4 - 10
PN	40/6	40/10	40/16

T	-10 °C	130 °C
bar	40	38

setting ranges	nominal diameter	
	DN 15 - 25	DN 40 - 100
0.8 - 10 bar	30 : 1	20 : 1
max. inlet pressure	24 - 40 bar	16 - 40 bar

Pressure Control Valves

Pressure Reducing Valves DM 618

Standard Cast Valve for Liquids and Gases



Materials

Body	GS-C 25 1.0619 (A216-WCB)*
Diaphragm Housing	stainless steel 1.4404 (SS316L)
Medium wetted Internal Parts	stainless steel 1.4404 / 1.4462 (SS316L / Duplex)
Valve Seal	EPDM**
Diaphragm	EPDM**
O-ring	EPDM**

* body optionally made of stainless steel 1.4408 (CF8M)
 ** elastomeres optionally made of FKM, NBR, PTFE or other materials

Dimensions [mm]

size	nominal diameter DN							
	15	20	25	40	50	65	80	100
A	130	150	160	200	230	290	310	350
B	60	60	60	75	75	112	112	112
C	278	278	278	438	438	508	508	508

Weights [kg]

nominal diameter DN								
15	20	25	40	50	65	80	100	
9	10	11	33	35	64	66	73	

Customs Tariff Number

84811019

Please specify on order:

- » nominal diameter
- » K_{vs} value
- » temperature
- » elastomeres
- » nominal pressure
- » pressure range
- » body material

example:

DM 618, DN 100, PN 40, K_{vs} 110 m³/h, 2 - 5 bar, 130 °C, soft-sealed, GS-C25, EPDM

Typical Applications

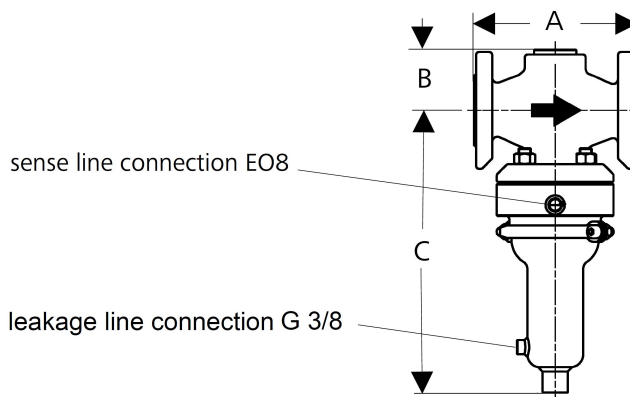
- » Conventional fuel supply and residues disposal (int.al. KKS Code: EKG, ENX)
- » Water supply and disposal – distribution system (int.al. KKS Code: GHC, GQA)
- » Drying of solid matter (int.al. KKS Code: HTN)
- » Conventional heat generation (int.al. KKS Code: HTQ)
- » Steam, water, gas cycle condensate system (int.al. KKS Code: LCA, LCW)
- » Water treatment and distribution (int.al. KKS Code: PCB)
- » Cooling water systems (int.al. KKS Code: PCC)
- » Generation of working air (int.al. KKS Code: SCA)

Special designs on request.

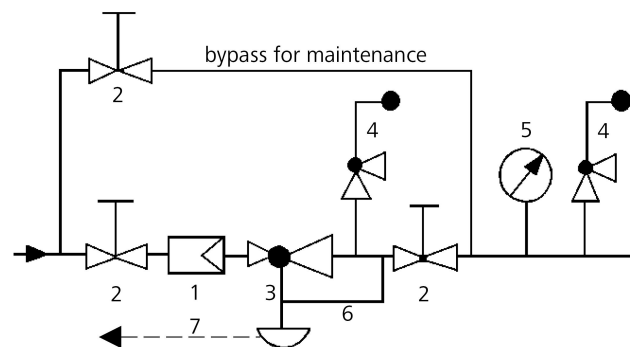
The pressure has always been indicated as overpressure.

Mankenberg reserves the right to alter or improve the designs or specifications of the products described herein without notice.

Dimensional Drawing



Recommended Installation



- 1 Strainer
- 2 Shut-off Valves
- 3 Pressure Reducer
- 4 Safety Valves
- 5 Pressure Gauge
- 6 Sense Line EO8
- 7 Leakage Line G 3/8

sense line connection 10 - 20 x DN behind the valve
 use MANKENBERG-Products

Installation in a horizontal line without strain with the spring cap pointing vertically downwards in such a way that the arrow on the body points in the direction of flow. For gases, the installation can take place with the spring cap pointing either downwards or upwards. For use with liquids the valve must be installed with the spring cap pointing downwards.