

# Pressure Control Valves

## Pressure Reducing Valves DM 762

Millibar Control Valve



### Technical Data

Connection DN	15 - 50
Connection G	1/2 - 2
Nominal Pressure PN	16
Inlet Pressure	up to 16 bar
Outlet Pressure	0.002 - 0.52 bar
K <sub>vs</sub> -Value	0.2 - 3.6 m <sup>3</sup> /h
Temperature	130 °C
Medium	liquids and gases

### Description

Self-acting pressure reducers are simple control valves offering accurate control while being easy to install and maintain. They control the pressure downstream of the valve without requiring pneumatic or electrical control elements.

The DM 762 pressure reducing valve is a diaphragm-controlled spring-loaded proportional control valve for very small outlet pressures and large volumes.

This pressure reducer is manufactured from deep-drawn stainless steel featuring excellent corrosion resistance. The valve cone is fitted with a soft seal.

The outlet pressure to be controlled is balanced across the control unit by the force of the valve spring (set pressure). As the outlet pressure rises above the pressure set using the adjusting screw, the valve cone moves towards the seat and the volume of medium is reduced. As the outlet pressure drops, the valve control orifice increases; when the pipeline is depressurised, the valve is open. Rotating the adjusting screw clockwise increases the outlet pressure.

The valves requires a sense line (to be installed on-site).

We recommend that G 1 and G 1½ or DN 25 and DN 40 connections be used.

These valves are no shut-off elements ensuring a tight closing of the valve. In accordance with DIN EN 60534-4 and/or ANSI FCI 70-2 they may feature a leakage rate in closed position in compliance with the leakage classes V (soft seal cone =  $1.8 \times 10^{-5} \times \Delta p \times D^*$  [l/h], \*D=seat diameter).

### Standard

- » all stainless steel construction
- » sense line connection

### Options

- » pressure gauge connection
- » clean gas version with special connections
- » for toxic or hazardous media: sealed spring cap complete with leakage line connection (incl. sealed adjusting screw). Must be installed with a leakage line capable of draining leaking medium safely and without pressure
- » various diaphragm and seal materials suitable for your medium
- » special connections: Aseptic, ANSI or JIS flanges, NPT, welding spigots; other connections on request
- » special versions on request

Operating instructions, know how and safety instructions must be observed. All the pressure has always been indicated as overpressure. We reserve the right to alter technical specifications without notice.



K <sub>vs</sub> -Values [m <sup>3</sup> /h] for all body sizes					
0.2	0.9	1.5	2.2	2.8	3.6

Setting Ranges [bar] diaphragm diameter 500 mm			
0.002 - 0.003	0.003 - 0.015	0.008 - 0.03	0.012 - 0.07

Setting Ranges [bar] diaphragm diameter 360 mm			
0.004 - 0.006	0.005 - 0.032	0.015 - 0.06	0.025 - 0.14

Setting Ranges [bar] diaphragm diameter 270 mm			
0.008 - 0.016	0.015 - 0.065	0.02 - 0.12	0.05 - 0.28

Setting Ranges [bar] diaphragm diameter 220 mm			
0.015 - 0.030	0.025 - 0.125	0.05 - 0.22	0.1 - 0.52

diaphragm diameter	Permissible Reduction Ratio (max. p <sub>1</sub> /p <sub>2</sub> )					
	K <sub>vs</sub> -value [m <sup>3</sup> /h]					
	0.2	0.9	1.5	2.2	2.8	3.6
500	15000	7500	4500	2200	1500	1100
360	8000	4000	2500	1200	800	650
270	4000	2000	1250	600	400	320
220	2200	1100	660	320	210	170

# Pressure Control Valves

## Pressure Reducing Valves DM 762

Millibar Control Valve



Materials		
Temperature	80 °C	130 °C
Body, Spring Cap, Internals, Screws	CrNiMo-steel	CrNiMo-steel
Adjusting Screw	CrNiMo-steel M10 with handwheel made of Duroplast	
Spring	CrNi-steel	CrNi-steel
Valve Seal	FPM	FPM
Diaphragm	NBR	EPDM

Dimensions [mm]						
size	nominal diameter G					
	1/2	3/4	1	1 1/4	1 1/2	2
A	165	170	170	180	180	180
B	35	35	35	40	45	50
C	320	330	330	340	350	360
D	= diaphragm diameter see table pressure ranges					

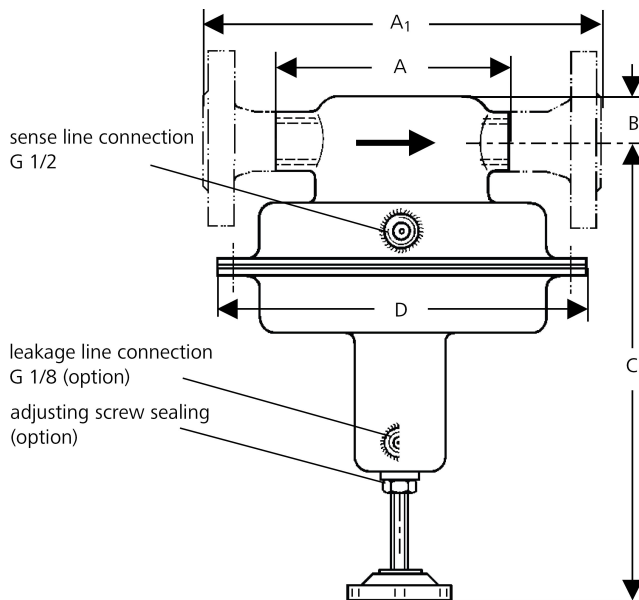
Dimensions [mm]						
size	nominal diameter DN					
	15	20	25	32	40	50
A <sub>1</sub>	240	240	250	250	260	260
B	35	35	35	40	45	50
C	320	330	330	340	350	360
D	= diaphragm diameter see table pressure ranges					

Weights [kg]			
diaphragm diameter	nominal diameter		
	G 1/2 - 2	DN 15 - 25	DN 32 - 50
500	13	15	17
360	12.5	14.5	16.5
270	8	10	12
220	6	8	10

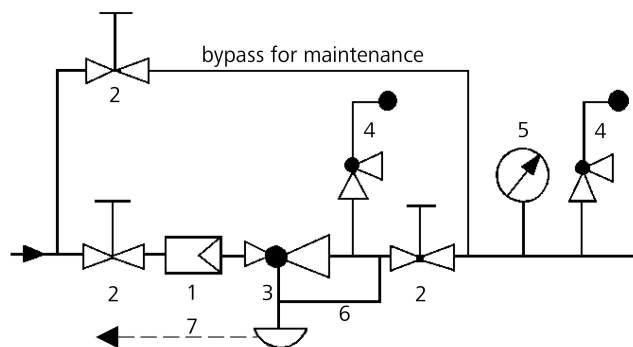
**Customs Tariff Number**  
84811019

Special designs on request.  
The pressure has always been indicated as overpressure.  
Mankenberg reserves the right to alter or improve the designs or specifications of the products described herein without notice.

### Dimensional Drawing



### Recommended Installation



- 1 Strainer
  - 2 Shut-off Valves
  - 3 Pressure Reducer
  - 4 Safety Valves
  - 5 Pressure Gauge
  - 6 Sense Line G 1/2
  - 7 Leakage Line G 1/8 (option)
- sense line connection 10 - 20 x DN behind the valve  
use MANKENBERG-Products