

# Bleeding and Venting Valves

## Combined Bleeding and Venting Valves EB 1.74



Combined Valve Especially for Water

### Technical Data

Connection DN	50 - 150
Nominal Pressure PN	16
Operating Pressure	up to 8 bar
Flow Rate	1783 Nm <sup>3</sup> /h
Temperature	130 °C
Medium	liquids

### Description

Bleeding and venting valves remove air or gases from systems or pipelines without requiring an external energy input. When a system is drained they act as venting valves; venting may be prevented by fitting a non-return valve.

The EB 1.74 bleeding/venting valve is a combined start-up/continuous bleeding/venting valve with float control. It is manufactured from deep-drawn stainless steel featuring excellent corrosion resistance. The valve cone can be fitted with a soft or metallic seal.

Top and bottom sections of the valve body are connected by a clamp ring and two bolts. Servicing/maintenance is easy and does not call for special toolin

During start-up a large volume of air is bled at low pressure via a large valve cone. When the bleed valve is closed and small air volumes have to be bled during continuous operation, an additional smaller cone in the valve opens and bleeds these smaller volumes. The large cone will not open until the liquid level and the pressure drops. The valve opens immediately if a vacuum forms. **The minimum pressure required for valve sealing is 0.2 bar.**

### Standard

- » all stainless steel construction
- » quick-release body clamp ring

### Options

- » ozone-resistant design
- » various seal materials suitable for your medium
- » plastic coating for corrosive fluids
- » non-return valve to prevent venting
- » special connections: Aseptic, ANSI or JIS flanges, welding spigots; other connections on request
- » special versions on request

Operating instructions, know how and safety instructions must be observed. All the pressure has always been indicated as overpressure. We reserve the right to alter technical specifications without notice.



**Air Flow Rate Nm<sup>3</sup>/h at 0 °C, 1013 mbar**

	ΔP bar	nominal diameter DN				
		50	65	80	100	150
start-up venting	0.05	113		396		728
	0.1	159		560		1030
	0.2	225		790		1455
	0.3	276		970		1783
continuous venting	1	11		25		55
	2	16		38		85
	4	28		63		140
	6	39		88		209
	8	50		114		250
bleeding	0.1	150		530		975
	0.2	200		710		1300
	0.3	230		810		1490
	0.4	245		870		1595

# Bleeding and Venting Valves

## Combined Bleeding and Venting Valves EB 1.74

Combined Valve Especially for Water



### Materials

Body	CrNiMo-steel
Body Seal	EPDM
Internals	CrNiMo-steel
Float	CrNiMo-steel
Valve seal	EPDM + metallic
Profile Clamp	CrNiMo-steel

### Dimensions [mm]

size	nominal diameter DN				
	50/50	65/65	80/65	100/65	150/80
A	285	285	300	265	695
B	175	235	235	235	300
C	325	330	340	310	795
D	200	265	265	265	273
E	25	40	25	55	-

### Weights [kg]

nominal diameter DN					
50	65	80	100	150	
9	15.5	16	16.5	45	

### Customs Tariff Number

84818059

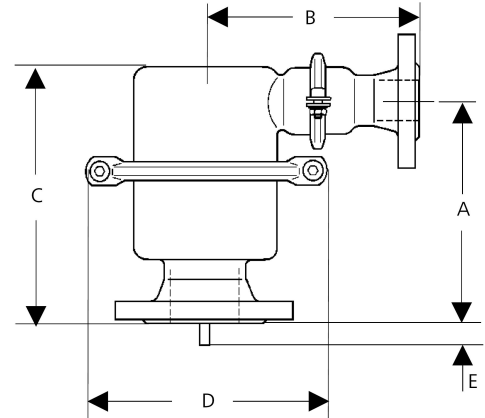
Special designs on request.

The pressure has always been indicated as overpressure.

Mankenberg reserves the right to alter or improve the designs or specifications of the products described herein without notice.

### Dimensional Drawing

DN 50 - 100



DN 150

