



High Pressure Sealing Electrode Glands (HPEG)

Conax Technologies manufactures high pressure seals [up to 20,000 psig at 68°F (20°C)] for electrode feedthroughs. High pressure seals are designed for installation onto the pressure vessel wall using threaded mounting configurations only. High pressure assemblies are factory torqued, so disassembly and reassembly in the field is not recommended.

The electrode is copper (CU), stainless steel (SS) or nickel (NI).

The voltage rating is 2000VDC. All prices include a pressure test at 68°F (20°C)].

These assemblies feature body and caps constructed from high strength 316SST and a proprietary sealant. Each unit has a stepped electrode. The larger diameter electrode is on the body side. SST nuts and washers are used for nickel and stainless steel and brass is used for copper.

Specifications – High Pressure Assemblies

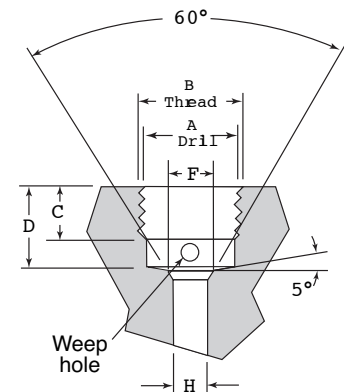
Catalog Number	Thread Size	Max Amperage Rating		
		CU	SS	NI
HPEG(ASM5/S316)-093/187-A-CU-V	.8125-16UNF-2A	20	10	3
HPEG(ASM7/S316)-187/312-A-CU-V	.750-14NPSM	60	25	9

Note: HPEG with ASM5 mates with Snap-tite/Autoclave Engineers part type SF562CX10.
HPEG with ASM7 mates with Snap-tite/Autoclave Engineers part type SF750CX10.

Tube Connection Dimensions – Autoclave Medium Pressure SFCX

Tube Outside	Connection Type	Dimensions inches (mm)							
		A	B	C	D	F	H		
1/4	SF250CX20	25/64 (9.9)	7/16 -20	0.28 (7.1)	0.50 (12.7)	0.19 (4.8)	0.109 (2.8)		
3/8	SF375CX20	33/64 (13.1)	9/16 -18	0.38 (9.7)	0.62 (15.7)	0.31 (7.9)	0.203 (5.2)		
9/16	SF562CX10	3/4 (19.1)	13/16 -16	0.44 (11.1)	0.75 (19.1)	0.50 (12.7)	0.359 (9.1)		
3/4	SF750CX10	61/64 (24.2)	3/4 -14	0.50 (12.7)	0.94 (23.9)	.062 (15.7)	0.516 (13.1)		
1	SF1000CX10	1-19/64 (32.9)	1-3/8 -12	0.81 (20.5)	1.31 (33.3)	0.88 (22.4)	0.688 (17.5)		
1	SF1000CX43	1-19/64 (32.9)	1-3/8 -12	0.81 (20.5)	1.31 (33.3)	0.88 (22.4)	0.438 (11.1)		

Note: All dimensions are shown for reference only and should not be considered as actual machining dimensions.
All threads are manufactured to a class 2A or 2B fit.



PL SERIES