

GO REGULATOR

PR-56 Series

High Pressure Brass Regulator (6,000 psig Inlet)



To meet the demands for the safe reduction of inlet pressures up to 6,000 psig, GO Regulator has designed the PR-56 Series regulator. This precision regulator features a piston sensing design which provides the operator with low adjusting torque requirements when setting the outlet pressure.

The optional self relieving feature provides an additional level in operational ease, as it allows for trapped downstream pressure to be safely vented to atmosphere through the bonnet.

Features & Specifications

- Gas or liquid service
- Brass (alloy 360) construction
- Better than 25 Ra finish in diaphragm cavity
- Stainless steel spring loaded piston sensor
- 20 micron filter
- Bubble-tight shutoff
- Viton® seals (other elastomers optional)
- Inlet pressure maximum 6,000 psig
- Outlet pressure ranges are 0–250, 0–500, 0–750, 0–1000, 0–2000, 0–4000, and 0–6000 psig
- Cv flow coefficient 0.05 or 0.2

Options

- Gauges and CGA fittings for cylinder gas application
- Self-relieving and captured vent
- 3/8" FNPT, 1/4" AN 10050-4, 1/4" SAE J514 or 1/4" MS 33649 ports

pressure regulators

GO Regulator

405 Centura Court • PO Box 4866 • Spartanburg, SC 29303

Phone (864) 574-7966 Fax (864) 574-5608

www.goreg.com • sales@goreg.com

PR-56 Series

How to Order

PR56 -

BODY MATERIAL

- 2 Brass

PORT CONFIGURATION

- A Standard

For more port configurations, see page 35

PROCESS PORT TYPES

(GAUGE PORT TYPES, IF SPECIFIED)

- 1 1/4" FNPT (1/4" FNPT gauge ports)
- 4 3/8" FNPT (1/4" FNPT gauge ports)
- 7 AN 10050-4 (1/4" FNPT gauge ports)
- 8 SAE J514 (1/4" FNPT gauge ports)
- 9 M/S 33649 (1/4" FNPT gauge ports)
- F 1/4" Aminco (1/4" FNPT gauge ports)

SURFACE FINISH OF DIAPHRAGM CAVITY

- 1 < 25 Ra
- 5 < 25 Ra with 10-32 mounting holes

SEAT MATERIAL

- A Tefzel®
- C Polyimide
- H PCTFE (formerly Kel-F® 81)
- Q PEEK™

FLOW COEFFICIENT (Cv)

- 2 0.05
- 5 0.2

CAP ASSEMBLY

- 1 Standard, aluminum
- 4 Panel mount, aluminum
- 5 Captured vent, aluminum
- F Stainless steel
- V Captured vent, panel mount, stainless steel
- W Panel mount, stainless steel

PISTON MATERIAL

- 4 Stainless steel/Teflon® cavity o-ring
- 5 Stainless steel/Viton® cavity o-ring

PISTON TYPE

- 1 Non-self-relieving
- 3 Self-relieving

OUTLET RANGE

- I 0-250 psig
- J 0-500 psig
- W 0-750 psig
- K 0-1000 psig
- L 0-2000 psig
- N 0-4000 psig
- O 0-6000 psig

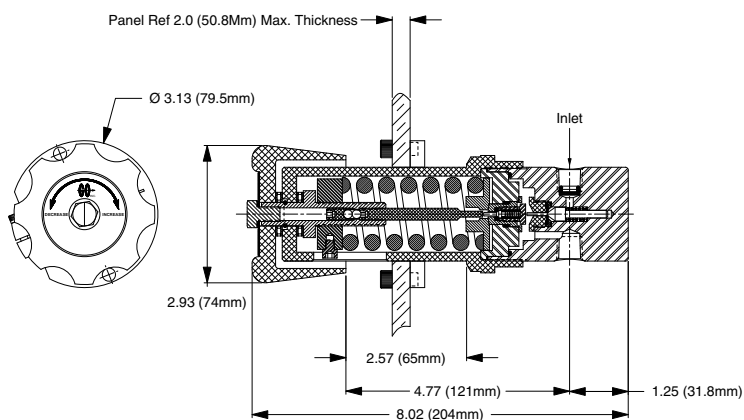
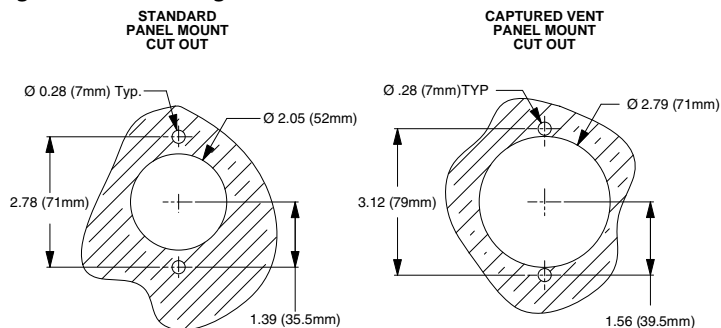
NOTE: The choices above represent an abbreviated list of the more commonly ordered options. For a complete listing of all available options, please see the Selection Wizard on the GO website at www.goreg.com or contact the factory.

Maximum Temperature & Operating Inlet Pressures

SEAT MATERIAL	MAXIMUM TEMPERATURE	@	MAXIMUM OPERATING INLET PRESSURE
Tefzel®	150° F (66° C)	@	3600 psig (24.82 MPa)
PCTFE (formerly Kel-F® 81)	175° F (80° C)	@	6000 psig (41.37 MPa)
Polyimide	175° F (80° C)	@	6000 psig (41.37 MPa)
PEEK™	175° F (80° C)	@	6000 psig (41.37 MPa)

Outline and Mounting Dimensions

Weight = 4.4 lbs (2.0kg)



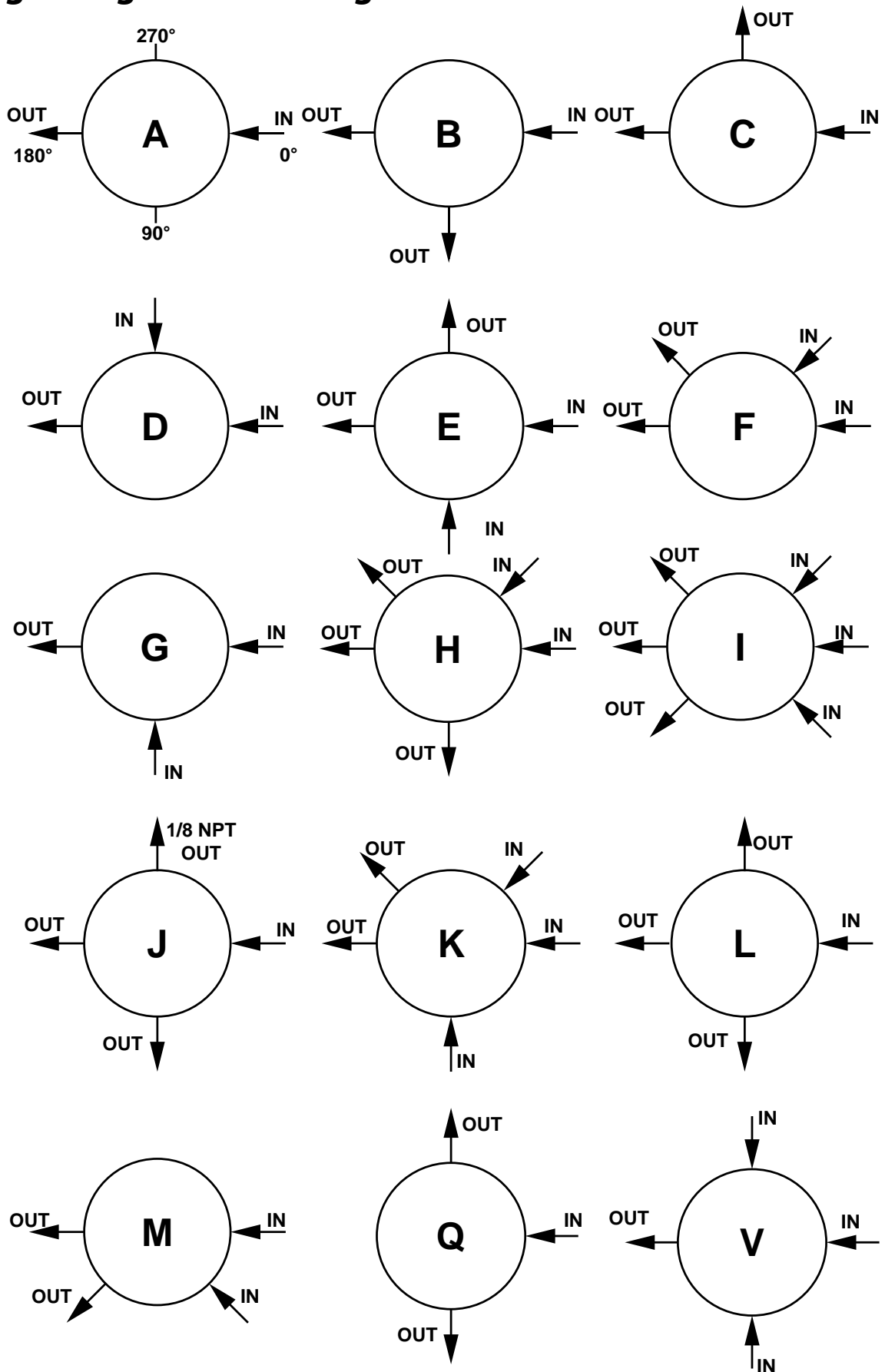
Teflon® and Tefzel® are registered trademarks of the DuPont Company.

Kel-F® is a registered trademark of 3M Company.

PEEK™ is a trademark of Victrex PLC.

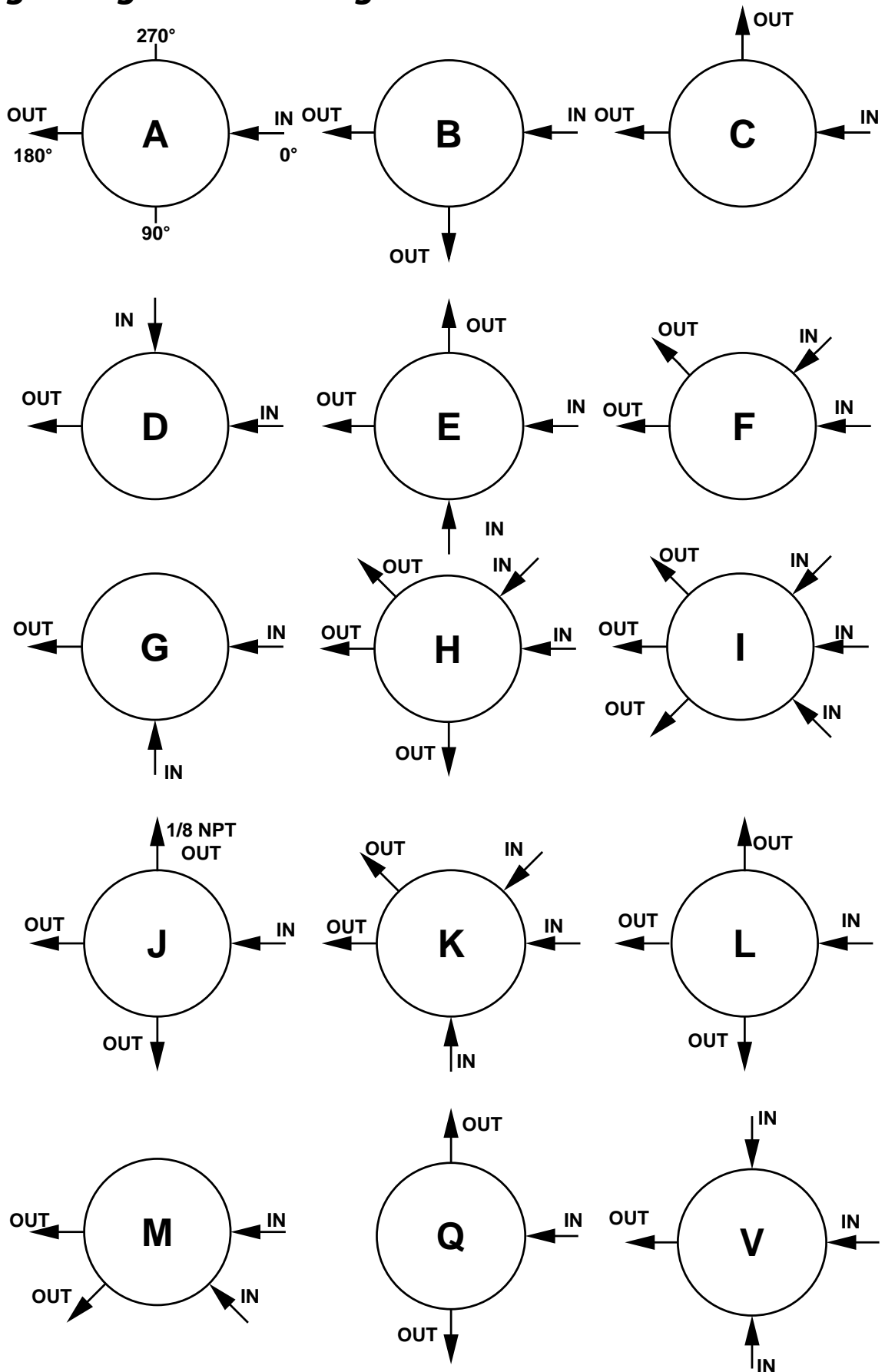
Viton® is a registered trademark of DuPont Dow Elastomers.

Porting Configurations for Single Stage Pressure Regulators



LOCATION OF PORTS FROM
TOP VIEW

Porting Configurations for Single Stage Pressure Regulators



LOCATION OF PORTS FROM
TOP VIEW