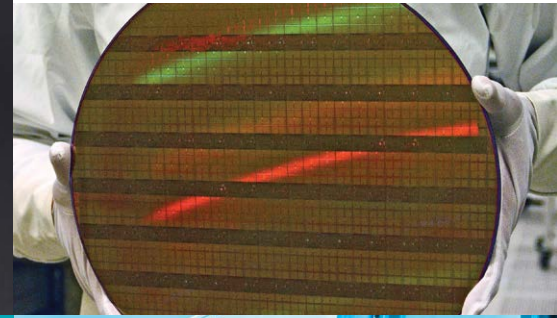




**FURON**<sup>®</sup>  
Pure Performance



## Furon<sup>®</sup> UPRP Precision Regulator

### Pneumatically Actuated, (1" Orifice)

#### Description

Furon<sup>®</sup> UPRP Precision Pressure Regulators are engineered to control downstream fluid pressures with the utmost precision. A large sensing dome allows for a 1:1 ratio between the pilot air pressure and the desired output pressure. For example, setting the pilot air pressure to 40 psi will regulate the fluid output pressure to approximately 40 psi. Additionally, our unique diaphragm design assures that the regulators will not “chatter” at the lower end of the pressure range settings, a behavior common to many types of competing pressure regulators. Wetted flow path is 100% PTFE and PFA and the regulator is 100% metal-free and elastomer-free, making the UPRP Pressure Regulators an ideal choice for Semiconductor applications, or any other application requiring high purity and/or superior chemical resistance.

#### Applications

- Precise regulation of pressures in aggressive or ultrapure chemical or DI water lines
- Protecting sensitive instrumentation from pressure spikes
- Preventing foreign particles from being forced through filtration membranes due to unstable pressures

#### Features and Benefits

- Precise, chatter-free control of downstream fluid pressure
- Handles fluid temperatures up to 194° F (90° C)
- All virgin PTFE/Fluoroloyt<sup>®</sup> and PFA wetted flow path
- Non-metallic external surfaces
- Non-contaminating fluoropolymer coated stainless steel spring enclosed in a virgin PTFE isolation bellows
- Maximum C<sub>v</sub> of 10.0

Furon® UPRP 1" Precision Regulator

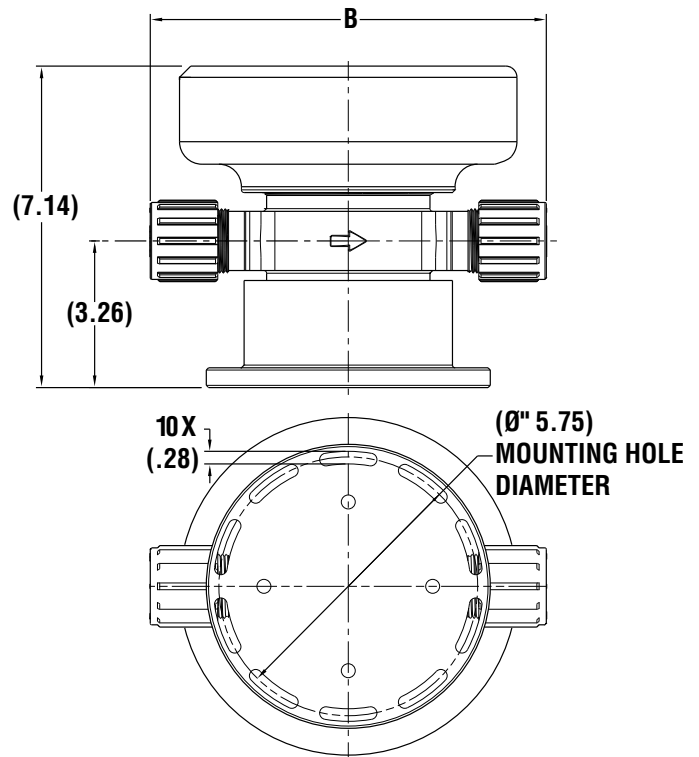
Part Number	End Connection	Orifice (in.)	Port Size (in.)	A (in.)
UPRP-FI616-P	Flaregrip® II	1	1	8.25 (209.6 mm)
UPRP-FI612-P	Flaregrip® II	1	3/4	8.0 (203.2 mm)

Operating Specifications

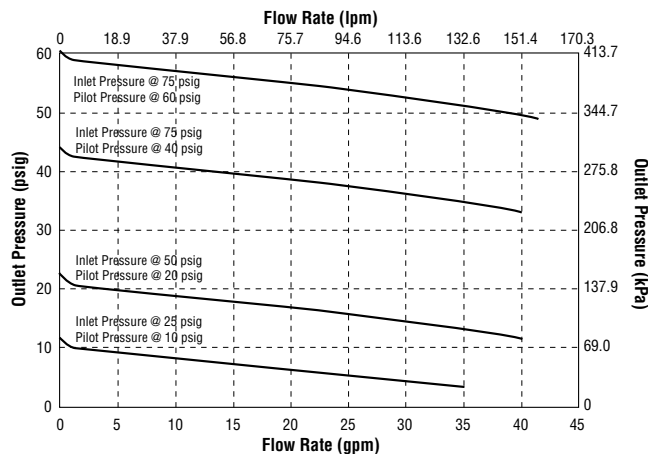
Max. Operating Pressure	100 psig (6.9 bar)
Max. Operating Temperature	194°F (90°C)
Pressure Regulation Range	10 – 60 PSIG (0.7 – 4.0 Bar)
Flow Factor	C <sub>v</sub> 10
Body	PTFE
Diaphragm	Modified PTFE
Top Cap (Air Actuator)	Polypropylene

Standard Options

- Other end connections not listed



1" UPRP with 1" FINE THREAD PORTS  
FLOW vs. OUTLET PRESSURE vs. PILOT PRESSURE  
@ 22° C\*



Saint-Gobain Performance Plastics  
7301 Orangewood Avenue  
Garden Grove, CA 92841  
1-800-833-5661  
Tel: (714) 630-5818  
Fax: (714) 688-2614

[www.processsystems.saint-gobain.com](http://www.processsystems.saint-gobain.com)

**NOTE:** The data and details given in this document are correct and up to date. This document is intended to provide information about the product and possible applications. This document is not the product specification and does not provide specific features, nor does it guarantee product performance in specific applications. Saint-Gobain cannot anticipate or control the conditions of the field and for this reason strongly recommends that practical tests are conducted to ensure that the product meets the requirements of a specific application.

Furon®, FlareGrip® and Nippon Pillar Super 300® are registered trademarks.  
FuseBond™ is a trademark.