

FS-150 Series – Straight Flow Path with Low Pressure Drop

Flow Rate Settings: Liquids: 0.5 GPM to 5 GPM

Port Size: 1/2" NPT

Primary Construction Material: Polypropylene

Setting Type: Fixed

These slim, inline switches reduce pressure drop to a minimum. They incorporate a unique, dual-diameter, internal bore and piston configuration to minimize flow constriction. Liquids are able to smoothly pass around the piston and flow through the switch with little pressure loss to the down stream line.

Specifications

| | |
|------------------------------------|---|
| Wetted Materials | |
| Housing | Polypropylene, Hydrolytically Stable, Glass Reinforced |
| Piston | Ryton® -R4, 316 Stainless Steel |
| O-Ring | Viton® |
| Spring | 316 Stainless Steel |
| Operating Pressure, Maximum | 200 PSIG (13.8 bar) @+70°F to +150°F (+21.1°C to 65.5°C) 150 PSIG (10.3 bar) @+150°F to +212°F (+65.5°C to +100°C) |
| Operating Temperature | 0°F to 212°F (-17.8°C to +100°C) |
| Set Point Accuracy | ±15% |
| Set Point Differential | 20% Maximum |
| Switch* | SPST, 20 VA |
| Inlet/Outlet Ports | 1/2" NPT Male |
| Electrical Termination | 1/4" Male Quick Connect Terminals (2) |

*See "Electrical Data" on Page X-5 for more information.

How To Order – Standard Models

Specify Part Number based on flow setting and switch operation.

| Flow Settings GPM | Part Numbers | |
|----------------------|-------------------------|---------------------------|
| | Normally Open @ No Flow | Normally Closed @ No Flow |
| 0.5 | 129660 ⚡ | 129666 |
| 1.0 | 129661 ⚡ | 129667 |
| 2.0 | 129662 ⚡ | 129668 |
| 3.0 | 129663 | 129669 |
| 4.0 | 129664 | 129670 |
| 5.0 | 129665 | 129671 |

Notes:

- Flow settings are calibrated using water @ +70°F on increasing flow, with units in a horizontal position (terminals up).
- Care should be taken by specifiers to ensure fluid compatibility with the above listed wetted materials.
- Use of 150 micron filtration is recommended.

⚡ – Stock Items.

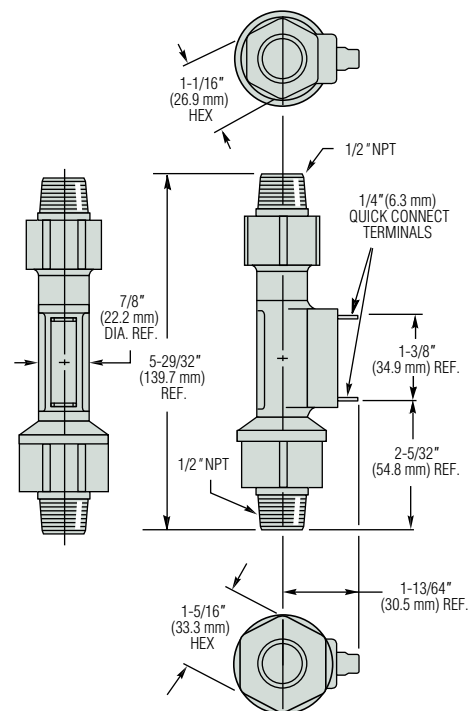


U.L. RECOGNIZED —
FILE NO. E31926
CSA Listed —
File No. LR30200



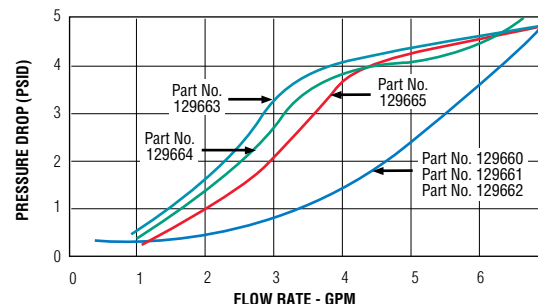
Patent #
4.996.396

Dimensions



Note: Cable output available. Please consult factory.

Pressure Drop - Typical



Tests conducted with units in a horizontal position with water at +70°F (21°C). Data will vary slightly for vertically mounted units.