

# Bilge water level switches

The design of GEMS bilge water level switches combines reliable switching in contaminated liquids with compact dimensions. These switches have been developed for general naval and industrial applications. They have protective housings which dampen the movements and turbulence of the medium and maintain their reliable operation even if there is solid matter in the bilge water.

## Acceptance and Approvals

Various civil, military and naval approvals are on hand for many of these products. Please ask for further details.

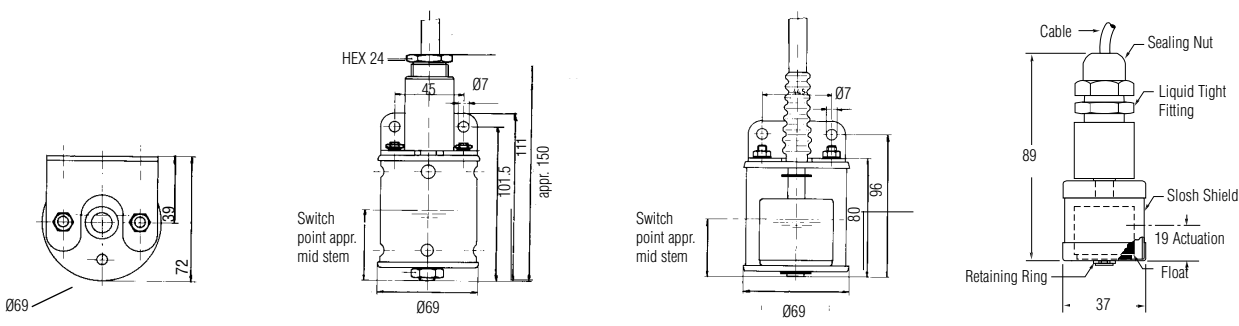


## Applications

**LS-240-3E:** This switch has extremely robust construction. It is perfectly suitable for applications on ships and wherever heavy mechanical loads occur. The LS-240-3E has been accepted by the Germanischer Lloyd, among others, and approved for application by the German Navy.

**LS-270-E:** This bilge water level switch has been developed especially for low level alarms and can monitor levels as low as 35 mm. As the cable is vulcanized the switch is submersible to "IP67". The float can also be constructed as an interface level indicator. The LS-270-E has been accepted by the Germanischer Lloyd, among others, and approved for application by the German Navy.

**LS-750:** With a compact-sized float, slosh shield and weighted collar, the LS-750 provides liquid level detection for a wide variety of applications. Suspend in stand pipes or sumps for leak detection duty, or drop into wells for ground-water monitoring. Supplied with 7.5m of waterproof cable.



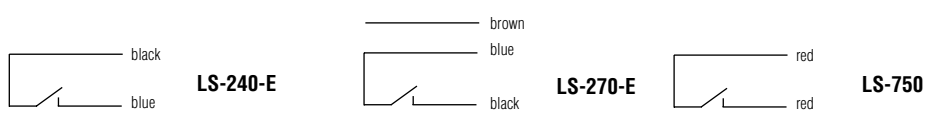
## Specifications

	LS-240-3E	LS-270-E	LS-750
<b>Material stem</b>	S Steel	S Steel	Brass
<b>Material float:</b>	Buna N	Buna N	Buna N
<b>Stilling chamber</b>	S. Steel	Lucite	Brass
<b>Bracket</b>	S Steel	S Steel	
<b>Operating pressure</b>	10 bar	10 bar	10 bar
<b>Temperature</b> -40°C to	+80°C	+80°C	+80°C Water
<b>Min. specific gravity of the liquid</b>	0.53	Standard: 0.58 Interface level: 0.85/1	0.45
<b>Protection rating</b>	IP67	IP67	IP68 to 8m
<b>Type of reed switch</b>	SPST 100 VA	SPST 100 VA	N.C., 20VA
<b>Electrical connection</b>	(Length 2m) Cable: LMGSGO 2 x 1.5mm <sup>2</sup>	(Length 2m) Cable: CR 3x1.5mm <sup>2</sup>	(Length 7.5m) PVC Cable Jacket 22 AWG
<b>Weight</b>	650 g	530 g	830 g

## How to Order

STD Float	010-3433 NO.	010-3434 NC	<b>010-0349</b> NO	<b>010-0350</b> NC	149350 NC
Interface Float Oil/Water			010-0351 NO	010-0352 NC	

## Connecting Diagram



Standard Products in **bold**

SINGLE POINT

LEVEL SWITCHES

www.gems-sensors.co.uk