

Differential Pressure Manifold Valves - EM45

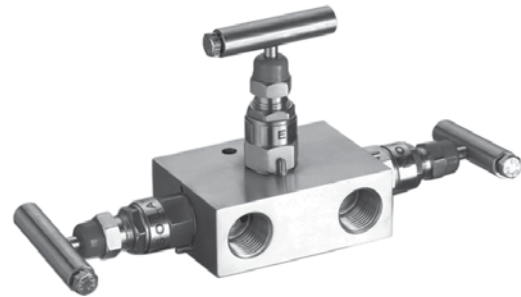
THREE VALVE MANIFOLD: REMOTE MOUNT, THREADED

The EM45 is a general purpose instrument manifold designed for connecting differential pressure transmitters or flow recorders to impulse line tubing. Connections are 1/2" FNPT on industry standard 2-1/8" (54mm) center-to-center dimensions.

Product Availability

All valves are available with integral hard seats, 316-NACE stainless steel body and trim and Teflon or Graphite packing.

Hastelloy C, Monel models (see order grid) available upon request.

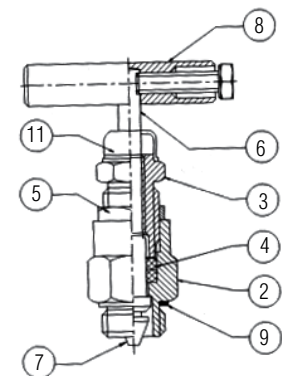
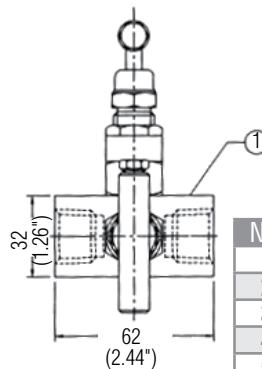
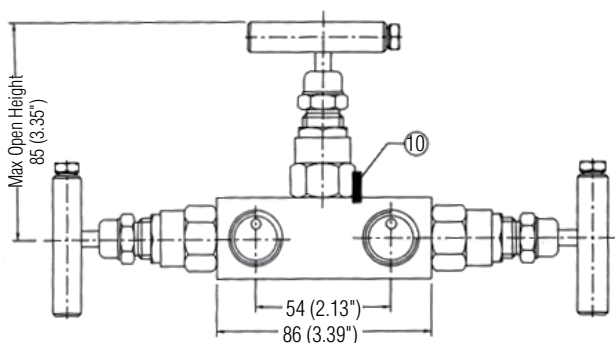
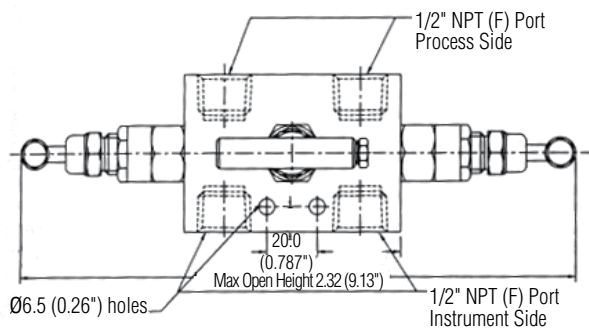


Ratings

Stainless Steel with TFE Packing:

6000 psig @ 100°F (414 bar @ 38°C)

4200 psig @ 400°F (290 bar @ 204°C)



No.	Description	Material	Qty
1	Body	SS316/NACE	1
2	Gland Body	SS316/NACE	3
3	Gland Retainer	SS304	3
4	Gland Seal	PTFE	6
5	Check Nut	SS304	3
6	Spindle	SS316/NACE	3
7	Trim	SS316/NACE	3
8	Handle	SS304	3
9	Washer	SS	3
10	Lock Pin	SS304	3
11	Dust Cap	PVC	3

Note: Other materials and options available

MODEL	BODY CONFIG.	BODY MAT'L	INLET SIZE	INLET TYPE	OUTLET SIZE	OUTLET TYPE	STEM/TIP	SEAT MAT'L	PACKING
EM45	1	D	3	3	3	1	3	1	2

MODEL	TYPE
EM45	Standard

10	OUTLET TYPE
1	FNPT

5	BODY
1	Hard Seat

11	STEM/TIP
3	316-NACE/316-NACE
B	Monel/Monel
D	Hastelloy C/Hastelloy C

6	BODY MATERIAL
D	316SS-NACE
H	Hastelloy C
M	Monel

12	SEAT MATERIAL
1	Integral Seat

7	INLET SIZE
3	1/2"

13	PACKING
2	TFE
3	Graphite

8	INLET TYPE
3	FNPT

Note: Inlet and Outlet must be same size

9	OUTLET SIZE
3	1/2"

Flow Schematic

