

Differential Pressure Manifold Valves - EM74

FIVE VALVE MANIFOLD: REMOTE MOUNT SINGLE EQUALIZER DESIGN

The EM74 is similar to the EM57 but is designed with two vent valves and one equalizer.

The two vent valves can be used for transmitter calibration and venting. This can be a convenient feature if the transmitter is located in a difficult to access place.

Product Availability

All valves are available with integral hard seats, 316-NACE stainless steel body and trim and Teflon or Graphite packing.

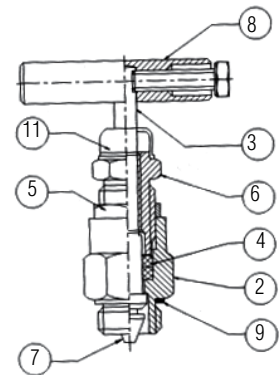
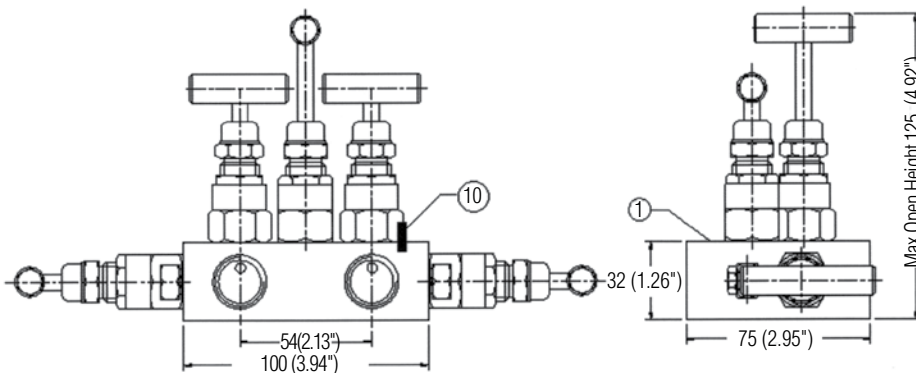
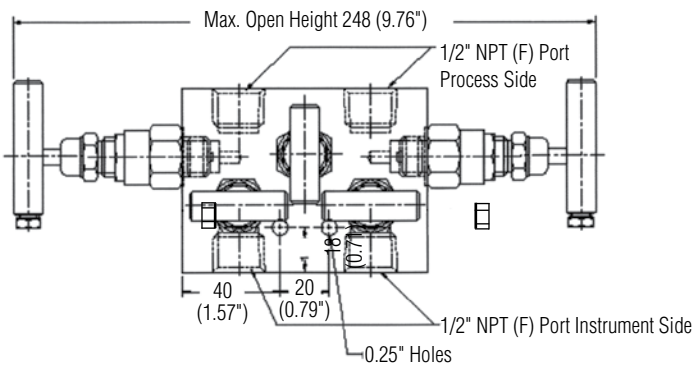
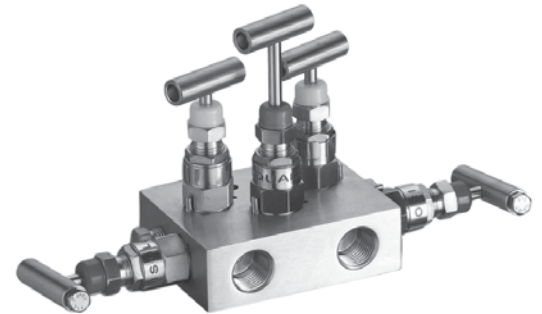
Hastelloy C, Monel models (see order grid) available upon request.

Ratings

Stainless Steel with TFE Packing:

6000 psig @ 100°F (414 bar @ 38°C)

4200 psig @ 400°F (290 bar @ 204°C)



No.	Description	Material	Qty
1	Body	SS316/NACE	1
2	Gland Body	SS316/NACE	5
3	Gland Retainer	SS304	5
4	Gland Seal	PTFE	10
5	Check Nut	SS304	5
6	Spindle	SS316/NACE	5
7	Trim	SS316/NACE	5
8	Handle	SS304	5
9	Washer	SS	5
10	Lock Pin	SS304	5
11	Dust Cap	PVC	5
12	Drain Plug 1/4" NPT	SS316/NACE	2

Note: Other materials and options available

MODEL	BODY CONFIG.	BODY MAT'L	INLET SIZE	INLET TYPE	OUTLET SIZE	OUTLET TYPE	STEM/TIP	SEAT MAT'L	PACKING
EM74	1	D	3	3	3	1	3	1	2

MODEL	TYPE
EM74	Standard

10	OUTLET TYPE
1	FNPT

5	BODY
1	Hard Seat

11	STEM/TIP
3	316-NACE/316-NACE
B	Monel/Monel
D	Hastelloy C/Hastelloy C

6	BODY MATERIAL
D	316SS-NACE
H	Hastelloy C
M	Monel

12	SEAT MATERIAL
1	Integral Seat

7	INLET SIZE
3	1/2"

13	PACKING
2	TFE
3	Graphite

8	INLET TYPE
3	FNPT

9	OUTLET SIZE
3	1/2"

Flow Schematic

