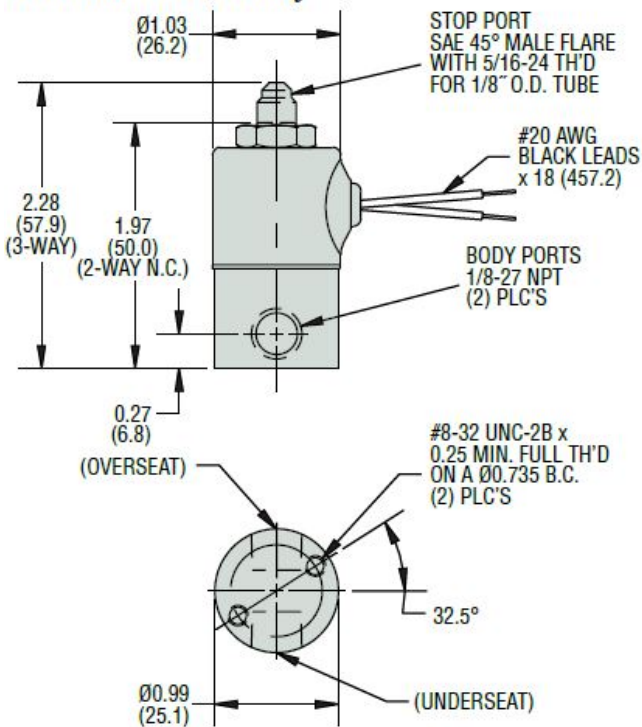
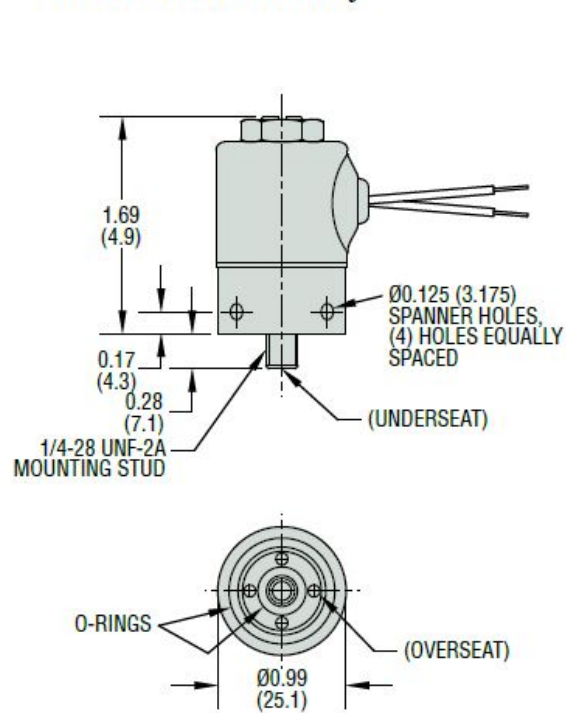


Threaded Port Body



Manifold Mount Body



Molded Coil

