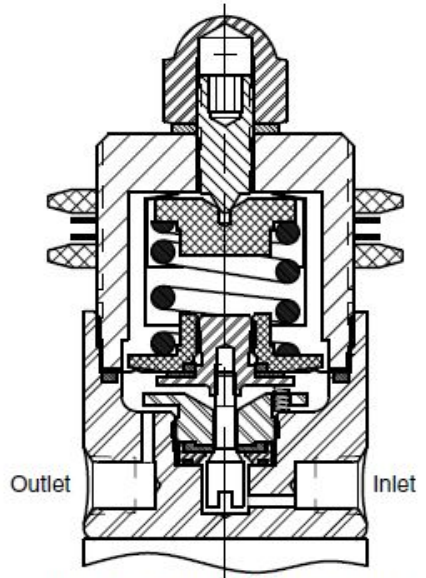
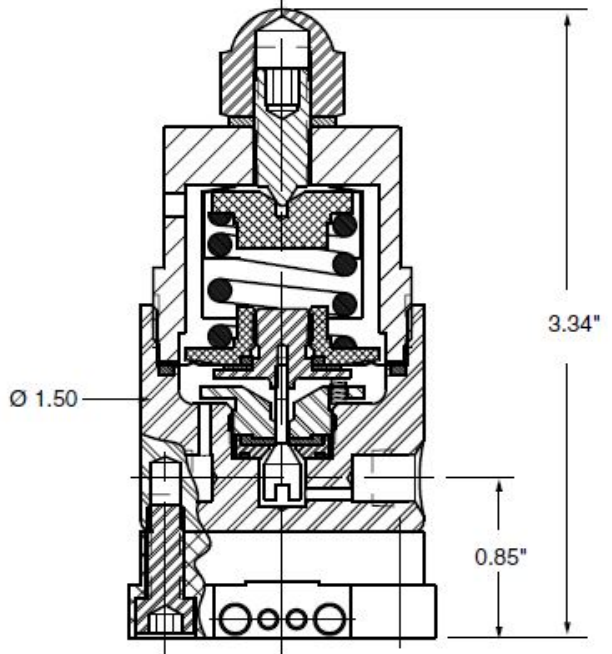


Weight = 0.86lbs



0.06 Cv and Panel Mount Options

Panel mount option requires 1.39 (35.3mm) minimum diameter panel cut out