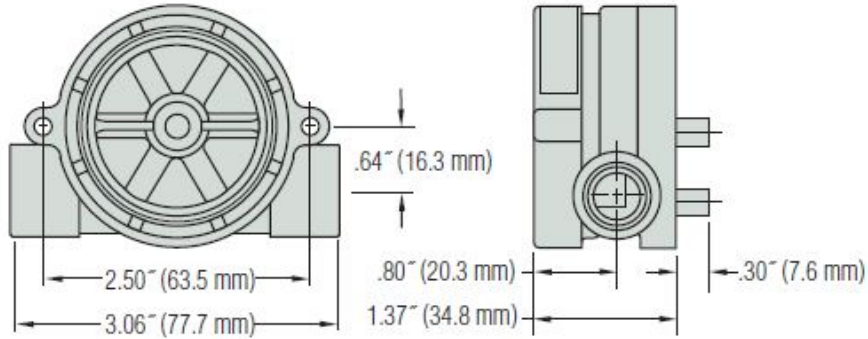
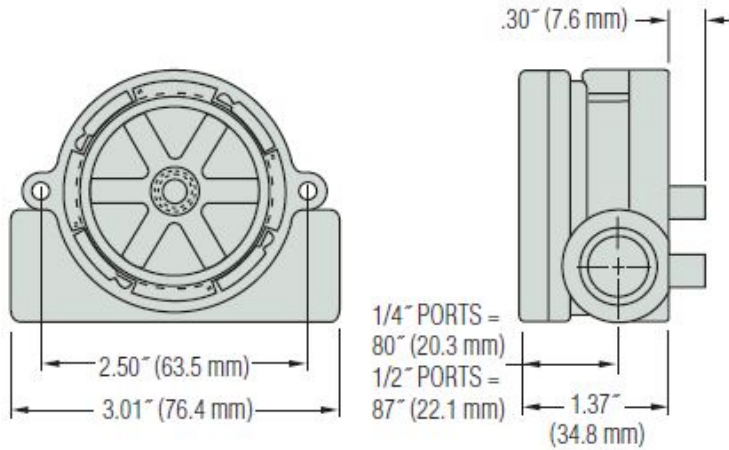


Polypropylene Bodies



Brass and Stainless Steel Bodies - .25" and .50" Ports



Brass Body - .75" and 1.00" Ports

